



User Manual Guide de l'utilisateur

Before operating this unit, please read the user manual completely and keep it. If the manual is lost, you can send e-mail to overseas@robam.com, request for an electronic manual.

KQWS-4800-RQ331

Electric Oven

TABLE OF CONTENTS

OVEN SAFETY	2
Warnings for Electric Installation.....	3
PARTS AND FEATURES	6
CONTROL PANEL	7
Oven Mode Controls	7
Display.....	7
Start/Control Lockout	7
Cancel.....	8
Light	8
Timer	8
Cook Time	8
Start Time	9
Settings.....	10
Self-Clean	12
OVEN USE	13
Before Using the Oven	13
General.....	13
Oven Temperature Control.....	16
Oven Modes.....	17
Bake Tips.....	22
Convection Bake Tips.....	23
Convection Roast Tips	26
Convection Broil Tips	28
Dehydrate Tips	29
Broil Tips.....	30
Food Service Temperature Guidelines from FSIS.....	31
OVEN CARE	32
General Cleaning	32
Automatic Self-Cleaning.....	34
Oven Door Removal	36
Replacing an Oven Light.....	37
TROUBLESHOOTING	39
Baking and Roasting	39
Operation.....	40

OVEN SAFETY

Your safety and the safety of others are very important.

We have provided many important safety messages in this manual and on your appliance. Always read and obey all safety messages.



This is the safety alert symbol.

This symbol alerts you to potential hazards that can kill or hurt you and others. All safety messages will follow the safety alert symbol and either the word "DANGER," "WARNING" or "CAUTION."

These words mean:



An imminently hazardous situation. You could be killed or seriously injured if you don't immediately follow instructions.



A potentially hazardous situation which, if not avoided, could result in death or serious bodily injury.



A potentially hazardous situation which, if not avoided, may result in moderate or minor injury.

All safety messages will tell you what the potential hazard is, tell you how to reduce the chance of injury, and tell you what can happen if the instructions are not followed.

State of California Proposition 65 Warnings:

WARNING: This product contains one or more chemicals known to the State of California to cause cancer.

WARNING: This product contains one or more chemicals known to the State of California to cause birth defects or other reproductive harm.

WARNINGS FOR ELECTRIC INSTALLATION**⚠ WARNING****Electrical Shock Hazard**

Installation and service must be performed by a qualified installer or service agency.

The models may be powered at 240V or 208V.

Always disconnect the power before servicing this unit.

This appliance must be properly grounded.

Failure to do so could result in death or serious injury.

IMPORTANT SAFETY INSTRUCTIONS

WARNING: To reduce the risk of fire, electrical shock, injury to persons, or damage when using the oven, follow basic precautions, including the following:

Proper Installation

- This appliance must be properly installed and electrically grounded by a qualified technician. Connect only to properly grounded outlet. See "Grounding Instructions" found in the Installation Instructions.
- This appliance should be serviced only by a qualified service technician. Contact the nearest authorized service center for examination, repair or adjustment.
- Do not repair or replace any part of the oven unless specifically recommended. Refer service to an authorized servicer.
- Do not operate this appliance if it is not working properly or if it has been damaged, until an authorized servicer has examined it.
- Install or locate this appliance only in accordance with the Installation Instructions.
- Use this oven only as intended by the manufacturer. If you have any questions, contact the manufacturer.

IMPORTANT SAFETY INSTRUCTIONS

- Do not cover or block any openings on this appliance.
- Use this appliance only for its intended use as described in this manual. Do not use corrosive chemicals, vapors, or nonfood products in this appliance. This type of oven is specifically designed to heat or cook. It is not designed for industrial or laboratory use. The use of corrosive chemicals in heating or cleaning will damage the appliance.
- Be sure the blower fan runs whenever the oven is in operation. If the fan does not operate, do not use the oven. Call an authorized service center.
- Never use the oven to warm or heat a room.

To reduce the risk of fire in the oven cavity:

- Do not store flammable materials in or near the oven.
- Do not use water on a grease fire. Smother fire or use a dry chemical or foam-type extinguisher.
- It is highly recommended that a fire extinguisher be readily available and highly visible next to any cooking appliance.
- Do not overcook food. Carefully attend oven if paper, plastic or other combustible materials are placed inside the oven.
- Do not use the cavity for storage purposes. Do not leave paper products, cooking utensils or food in the cavity when not being used.
- If materials inside the oven should ignite, keep oven door closed. Turn oven off and disconnect the circuit at the circuit breaker box.
- Do not store items of interest to children above the oven. If children should climb onto the appliance to reach these items, they could be seriously injured.
- For personal safety, wear proper clothing. Loose fitting or garments with hanging sleeves should never be worn while using this appliance.
- Tie long hair so that it doesn't hang loose.
- Do not touch heating elements or interior surfaces of oven.
- The heating elements may be hot even though they are dark in color. Interior surfaces of an oven become hot enough to cause burns.

Personal Safety

IMPORTANT SAFETY INSTRUCTIONS

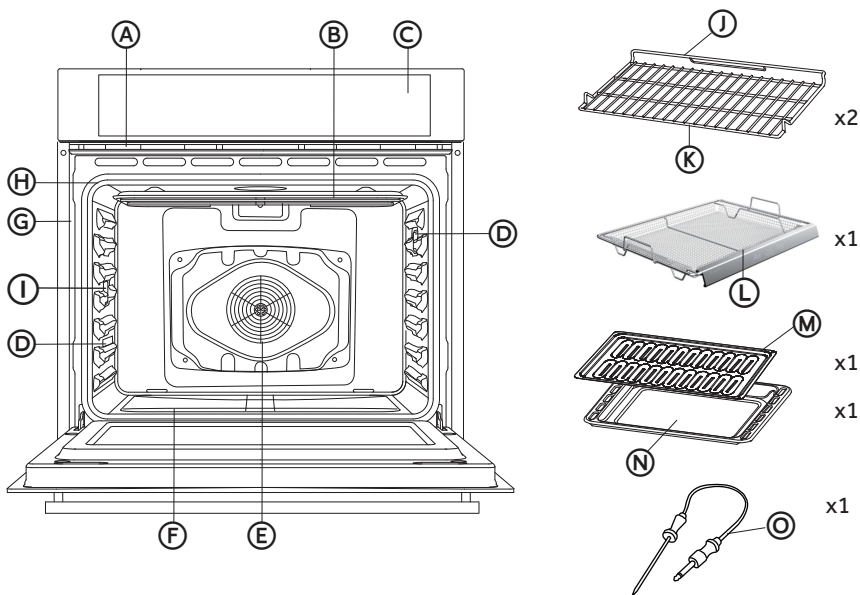
- During and after use, do not touch or let clothing or other flammable materials contact the heating elements or the interior surfaces of the oven until they have had sufficient time to cool.
- The trim on the top and sides of the oven door may become hot enough to cause burns.
- Use care when opening the door. Open the door slightly to let hot air or steam escape before removing or replacing food.
- Do not heat unopened food containers. Build-up of pressure may cause the container to burst and cause injury.
- Always place oven racks in desired location while oven is cool. If a rack must be moved while oven is hot, do not let potholder contact the hot heating elements.
- Use only dry potholders. Moist or damp potholders on hot surfaces may result in burns from steam. Do not let potholder touch hot heating elements. Do not use a towel or other bulky cloth.

Safety for the Self-cleaning Oven:

- Before self-cleaning the oven, remove the broiler pan, oven racks (only when not made of porcelain), other utensils and excess soft spillage.
- Confirm that the door locks and will not open once both selectors are in CLEAN position and the door lock icon appears. If the door does not lock, turn the cook mode selector to OFF and do not run Self-Clean. Call an authorized servicer.
- Do not clean the door gasket. It is essential for a good seal. Care should be taken not to rub, damage, move or remove the door gasket.
- Do not use commercial oven cleaners or oven liner protective coatings of any kind in or around any part of the oven.
- Clean only oven parts listed in this manual.
- Other surfaces of the appliance may become hot enough to cause burns - among these surfaces are for example: oven vent openings and surfaces near these openings, oven doors, and windows of oven doors.

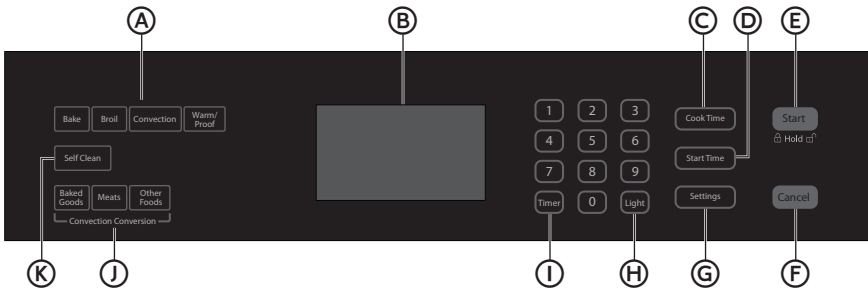
READ AND SAVE THESE INSTRUCTIONS

PARTS AND FEATURES



- (A)** Oven Vent
- (B)** Broil Element
- (C)** Control Panel
- (D)** Halogen Light
- (E)** Convection Fan and Element
- (F)** Bottom Element (not visible)
- (G)** Model and Serial # Plate
- (H)** Door Gasket
- (I)** Temperature Probe
- (J)** Oven Rack Back
- (K)** Oven Rack Front
- (L)** Air Fry Basket
- (M)** Broiler Pan Rack
- (N)** Broiler Pan
- (O)** Meat Probe

CONTROL PANEL



- A** Oven Mode Controls
- B** Display
- C** Cook Time
- D** Start Time
- E** Start/Control Lock (hold 3 seconds)
- F** Cancel
- G** Settings
- H** Light
- I** Timer
- J** Convection Conversion Mode Controls
- K** Self-Clean

OVEN MODE CONTROLS

Select from Bake, Broil, Convection and Warm/Proof oven modes.

NOTE: The Warm/Proof control toggles between the two oven modes by holding for 3 seconds.

DISPLAY

When power is first supplied to the oven or if a power failure occurs, "12:00" will appear on the display.

See "Clock," later in this section, for instructions to set the time-of-day. When the oven is not in use, the time-of-day appears in the display.

START/CONTROL LOCKOUT

START

The Start control begins any oven function. If Start is not pressed within 2 minutes after pressing a keypad the function is canceled and the time-of-day is displayed.

CONTROL PANEL LOCKOUT

The control panel can be locked to avoid unintended use of the oven.

NOTES:

- The control cannot be locked if the oven is in use or if Cook Time is operating.
- The current time-of-day will remain in the display when the control is locked.

To Lock Control Panel:

- Press and hold START for 3 seconds or until "LOCKED" appears in the display. "LOCKED" will remain lit in the display.

To Unlock Control Panel:

- Press and hold START for 3 seconds or until "LOCKED" scrolls in the display.

CANCEL

- Press the Cancel button to stop any function except Control Panel Lockout.

LIGHT

The oven lights turn On automatically when the oven door is opened, and turns Off automatically when the oven door is closed.

- Press the Light button to turn On/Off the oven lights when the oven door is closed.

TIMER

The Timer can be set in hours or minutes up to 11 hours and 59 minutes.

To Set the Timer:

1. Press TIMER.
2. Use the number keypad to enter the length of time in hours and minutes.
3. Press TIMER to begin the countdown. If enabled, timer tone(s) will sound at the end of countdown.
4. Press TIMER to cancel the Timer and return to the time-of-day.

NOTE: Do not press CANCEL because the oven will turn off.

COOK TIME

The Cook Time feature allows the oven to be set to cook for a set length of time, and then turn off automatically.

IMPORTANT: You must select an Oven Mode before you can set a Cook Time.

NOTES:

- Cook Time can be set in hours or minutes up to 11 hours and 59 minutes.
- To change the cook time during cooking, press CANCEL. Enter the new cook time and press START.
- At the end of the set cook time, the oven will turn off automatically, the alert tone will sound, and "Cooking Complete" will appear in the text area.

To Set Cook Time:

1. Select cooking mode.
2. Select temperature.
3. Press COOK TIME. Enter the desired cook time by pressing the number keypad.
4. Press START. The oven will begin to preheat.

NOTES:

- The Cook Time format is HR:MIN, switching to MIN:SEC during the last minute.
- An alert tone will sound until Cook Time is canceled.

START TIME

Start Time

This feature allows you to set the oven to turn on at a later time.

IMPORTANT: The clock must be set to the correct time-of-day.

1. Select an Oven Mode.
2. Select temperature.
3. Set Cook Time.
4. Press START TIME.
5. Enter the desired Start Time by pressing the number keypad. "Press START" will appear the display. If Cook Time was not set, the control will prompt you to "Set Cook Time."

WARNING

Food Poisoning Hazard

Do not let food sit in oven more than one hour before or after cooking.
Doing so can result in food poisoning or sickness.

6. Place the food in the oven and close the oven door.
7. Press START. Start Time will begin counting down until it reaches the set time-of-day.

NOTE: At the end of Cook Time, the oven will turn off automatically, an alert tone will sound and "Cooking Complete" will appear in the display.

SETTINGS

Settings

The Settings control allows you to access the menu for additional functions and features.

Press SETTINGS to show Menu Options 1 - 6. Then, press START to show Options 7 - 9.

CLOCK

The clock can be set to display time in a 12-hour or 24-hour format. The clock is factory preset for the 12-hour format.

To Set the Clock:

NOTE: Before setting the clock, make sure both the Oven and Timer are turned Off.

1. Press SETTINGS. The various Options will appear in the display.
2. Press 1 on the number keypad. "Clock" will appear in the display.
3. Press 1 to toggle between AM and PM.
4. Press the number keypad to enter the time-of-day.
5. Press SETTINGS to confirm; time-of-day is set.

To Change the Clock to 24-Hour Format:

1. Press SETTINGS. The various Options will appear in the display.
2. Press "5" on the number keypad. "12/24 HOUR" and "12" will appear in the display.
3. Press "1" on the number keypad to change the 12/24 Hour setting to 24-hour.
4. Press SETTINGS to confirm. The 12/24-Hour setting has been changed.

TONES

Tones are audible signals, indicating the following:

Number of Tones	Indicates		
1	Valid Press	Function has been entered	Oven is Preheated
2	Invalid Touch Pad Press		
4	End of Cycle	End of Timer	

To Turn On/Off Sound:

The oven sound is factory preset for On but can be changed to Off.

1. Press SETTINGS. The various Options will appear in the display.
2. Press "3" on the number keypad. "SOUND" and "ON" will appear in the display.
3. Press "1" on the number keypad. "ON/OFF" will appear in the display.
4. Press "1" on the number keypad to turn the sound Off.
5. Press SETTINGS to confirm. The sound has now been turned off.
6. Press SETTINGS, and then follow the display prompts to return the sound setting to On.

To Adjust Sound Volume:

The oven sound is factory preset for High but can be changed to Low.

1. Press **SETTINGS**. The various Options will appear in the display.
2. Press "4" on the number keypad. "SOUND VOLUME" and "HIGH" will appear in the display.
3. Press "1" on the number keypad. "HIGH/LOW" will appear in the display.
4. Press "1" on the number keypad to turn the sound Low.
5. Press **SETTINGS** to confirm. The sound volume has now been changed.
6. Press **SETTINGS**, and then follow the display prompts to return the sound volume setting to High.

DEGREES FAHRENHEIT AND CELSIUS

The temperature is factory preset to display in degrees Fahrenheit, but can be changed to display in degrees Celsius.

To Change the Display from Degrees Fahrenheit to Degrees Celsius:

1. Press **SETTINGS**. The various Options will appear in the display.
2. Press "2" on the number keypad. "TEMP UNIT" and "FAHRENHEIT" will appear in the display.
3. Press "1" on the number keypad. "DEGREE F/C" will appear in the display.
4. Press "1" on the number keypad to change the temperature unit setting to degrees Celsius.
5. Press **SETTINGS** to confirm. The temperature unit has been changed.
6. Press **SETTINGS**, and then follow the display prompts to return to Fahrenheit.

SABBATH MODE

Sabbath mode is designed for those whose religious observances require disabling certain oven features. By enabling Sabbath Mode, the oven will conform to Star-K Jewish Sabbath requirements.

NOTE: The oven is factory preset with Sabbath Mode Off.

To Turn On/Off Sabbath Mode:

1. Make sure the oven is turned Off, and the meat probe is not plugged in.

NOTE: Sabbath mode cannot be set when the oven is On. The oven will not recognize the meat probe while in Sabbath mode.

2. Press **SETTINGS** > Press **START** > Press 7, and then press 1 to (toggle between ON / OFF).
3. Press **SETTINGS** again to enable Sabbath mode. The only cooking function that works while the oven is set to Sabbath mode is Bake.

To Bake While the Oven is in Sabbath Mode:

1. Press and hold BAKE for 3 seconds.
2. Enter the desired oven temperature by pressing the numbered keypad.
3. After selecting Bake and a Temperature, you have the option to set a Cook Time and Start Time before pressing START. See "Cook Time" and "Start Time."
4. Press START. Pressing Start activates Sabbath mode.

Only the Cancel control is functional.

- Press CANCEL twice to exit Sabbath mode, and resume normal oven operation. The display will return to the time-of-day.

NOTE: If there is a power failure while the oven is in Sabbath mode, the oven will exit Sabbath mode and resume in normal mode when power is restored.

LANGUAGE

The Language is only set to English and it can't be changed to other language.

SELF-CLEAN

Operates the Automatic Self-cleaning feature. See "Oven Care."

OVEN USE

BEFORE USING THE OVEN

1. Turn the Temperature Control to the highest setting.
2. Turn the Cooking Mode Selection control to a cooking mode.
3. Allow the oven to operate for 30 minutes with the door closed and no food in the cavity.

NOTE: Any odor that may be detected during this initial use is due to the evaporation of substances used to protect the oven during storage.

4. Turn off the oven, and allow the oven to cool.

GENERAL

IMPORTANT: Do not place anything, including dishes, foil and oven trays, on the bottom of the oven when it is in operation to avoid damaging the enamel.

1. Place bake ware with food on one or both of the shelves provided with the oven.
2. Press the Oven Mode control for the desired oven function.
3. Use the number keypad to enter the oven temperature.
4. Press START.

PREHEATING THE OVEN

- Preheat the oven when using the Bake, Convection Bake and Convection Roast modes.
- Selecting a higher temperature does not shorten the preheat time.
- Preheating is necessary for good results when baking cakes, cookies, pastry and breads.
- Preheating will help to sear roasts and seal in meat juices.
- Place oven racks in their proper position before preheating.
- During preheating, the selected cooking temperature is always displayed.
- A beep will confirm that the oven is preheated and the "PREHEAT" writing will turn off.

OPERATIONAL SUGGESTIONS

- Use the cooking charts, in this manual, as a guide.
- Do not set pans on the open oven door.
- Use the interior oven lights to view the food through the oven door window rather than opening the door frequently.

TEMPERATURE PROBE**⚠ WARNING****Burn Hazard**

Use an oven mitt to remove temperature probe.

Do not touch broil element.

Failure to do so can result in burns.

The temperature probe monitors the internal food temperature, which is frequently used as an indicator of doneness especially for meats and poultry, and turns off the oven when the internal food temperature reaches the programmed temperature. The temperature probe will work with all oven modes except for the Warm/Proof, Sabbath and Self-Clean modes.

IMPORTANT: Always unplug and remove the temperature probe from the oven when removing the food.

To Use the Temperature Probe:

1. Insert the probe into the food.

NOTE: For meats, the probe tip should be inserted into the center of the thickest part of the meat. Make sure that the probe tip is not into the fat or touching bone.

2. Place the food into the oven. Keeping the temperature probe as far away from a heat source as possible, plug the temperature probe into the oven outlet. Close the oven door.
3. Select the oven mode.
4. Enter the oven temperature by pressing the numbers on the keypad.
5. Press **START**. The set oven temperature will appear on the display throughout cooking.
6. Enter the desired internal food temperature by pressing the numbers on the keypad, and then press **START**.

NOTES:

- The internal food temperature can be set between 110°F and 200°F (43°C and 93°C).
 - When the set probe temperature is reached, the oven will turn off.
7. Press **CANCEL** when finished. Unplug the temperature probe and remove food from the oven.

NOTE: The probe icon will remain lit in the display until the probe is unplugged.

UTENSILS

- Glass baking dishes absorb heat. Reduce oven temperature 25°F (15°C) when baking in glass.
- Use pans that produce the desired browning. The type of finish on the pan will help determine the amount of browning that will occur.
 - Shiny, smooth metal or light non-stick / anodized pans reflect heat, resulting in lighter, more delicate browning. Cakes and cookies require this type of utensil.
 - Dark, rough or dull pans will absorb heat resulting in a browner, crisper crust. Use this type for pies.
- Do not cook with the empty broiler pan in the oven, as this could affect cooking performance. Store the broil pan outside of the oven.

HIGH ALTITUDE BAKING

When cooking at high altitude, cooking times may be extended.

OVEN RACKS

IMPORTANT: To avoid permanent damage to the porcelain finish, place food or bakeware on an oven rack. Do not place food or bakeware directly onto the oven door or oven bottom.

- The oven racks can be placed in any of the six height positions with the oven.
- Position racks before turning on the oven.
- Make sure the oven racks are level.
- Oven racks have a stop to keep them from being unintentionally withdrawn fully.

To Remove Oven Racks:

- Pull rack out to the stop position, raise the front edge, and then lift out.

To Replace Oven Racks:

- Place oven rack on the wire supports along the sides of the oven. Tilt the front edge up slightly, and slide rack to the rear until it clears the stop position. Lower the front and slide the rack into the oven.

COMPONENT COOLING FAN

Activates during any cooking or self-cleaning mode to cool inner components and outer door surfaces. This air is exhausted through the vent located above the oven door. It continues to run until components have cooled sufficiently. The cooling fan operates at double speed (or RPM's) in self-clean and whenever the internal components temperature becomes high.

OVEN DOOR

To avoid oven door glass breakage:

- Do not close the oven door if the racks are not fully inserted into the oven cavity or if bakeware extends past the front edge of an oven rack.
- Do not set objects on the glass surface of the oven door.
- Do not hit glass surfaces with bakeware or other objects.
- Do not wipe down glass surfaces until the oven has completely cooled.

OVEN VENTS

Blocking or covering the oven vents will cause poor air circulation, affecting cooking, cleaning and cooling results.

- Both the upper and lower oven vent(s) allow fresh air to enter the cooling system.
- The lower oven vent also allows hot air to be expelled from the cooling system.

OVEN CONDENSATION AND TEMPERATURE

- It is normal for a certain amount of moisture to evaporate from the food during any cooking process. The amount depends on the moisture content of the food.
- The moisture may condense on any surface cooler than the inside of the oven, such as the control panel.
- Your new oven has an electronic temperature sensor to help maintain an accurate temperature. Your previous oven may have had a mechanical thermostat that drifted gradually over time to a higher temperature. It is normal that you may need to adjust your favorite recipes when cooking in a new oven.

OVEN TEMPERATURE CONTROL

The oven provides accurate temperatures; however, it may cook faster or slower than your previous oven, so the temperature calibration can be adjusted. It can be adjusted in degrees Fahrenheit or Celsius.

A minus sign means the oven will be cooler by the displayed amount. The absence of a minus sign means the oven will be warmer by the displayed amount.

Use the following chart as a guide:

ADJUSTMENT °F (ADJUSTMENT °C)	COOKS FOOD
10°F (6°C)	a little more
20°F (12°C)	moderately more
30°F (17°C)	much more
-10°F (-6°C)	a little less
-20°F (-12°C)	moderately less
-30°F (-17°C)	much less

To Adjust Oven Temperature Calibration:

1. Press **SETTINGS**. The various Options will appear in the display.
2. Press number 9 on the keypad. "CALIBRATION" "PRESS 3 TO INCREASE/PRESS 6 TO DECREASE" will scroll across the display.
3. Press number 3 on the keypad to increase or number 6 to decrease the temperature in 5°F (3°C) increments. The adjustment can be set between 30°F (18°C) and -30°F (-18°C).
4. Press **SETTINGS** to save the adjustment, and then exit the Temperature Calibration menu.

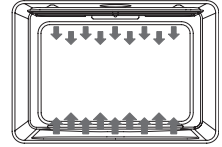
OVEN MODES

The illustrations show the heating elements and fans used for each oven mode.

NOTE: The lower element is concealed under the oven floor.

BAKE

Baking is cooking with heated air. Both upper and lower elements in the oven are used to heat the air but no fan is used to circulate the heat.



Follow the recipe or convenience food directions for baking temperature, time and rack position. Baking time will vary with the temperature of ingredients and the size, shape and finish of the bakeware.

1. Press **BAKE** to select the bake mode. "BAKE" will appear in the display and 350°F (177°C) will be displayed. "Set temp or Press START" will appear in the display.
2. Press **START**, if you wish to cook at 350°F (177°C).

OR

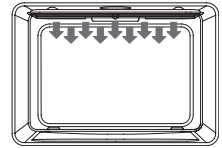
Enter the desired temperature by pressing the number keypad, and then press **START**. The temperature can be set from 170°F (77°C) to 500°F (260°C).

NOTES:

- The temperature can be changed at any time during cooking. Press **CANCEL** to clear the settings. Select oven mode, then enter the desired temperature by pressing the number keypad, and then press **START**.
 - After selecting an Oven Mode and Temperature, you have the option to set a Cook Time and Start Time before pressing **START**. See "Cook Time" and "Start Time."
3. Press **CANCEL** when finished baking, and remove food from the oven.

BROIL

Broiling uses direct radiant heat to cook food. The lower the temperature, the slower the cooking. Thicker cuts and unevenly shaped pieces of meat, fish and poultry may cook better at lower broiling temperatures.



- For best results, use a broiler pan and rack. It is designed to drain juices and help avoid spatter and smoke.
- For proper draining, do not cover the grid with foil. The bottom of the pan may be lined with aluminum foil for easier cleaning.
- Trim excess fat to reduce spattering. Slit the remaining fat on the edges to avoid curling.
- Select **HI/550°F (288°C)** broil for most broiling. Select **LO/450°F (232°C)** broil for low-temperature broiling of longer cooking foods such as poultry to avoid over browning.
- Pull out oven rack to stop position before turning or removing food. Use tongs to turn food to avoid the loss of juices. Very thin cuts of fish, poultry or meat may not need to be turned.

To Broil:

1. Place the food on the rack in the broiler pan and place pan in the oven. Close the oven door.

NOTE: Preheating is not necessary.

2. Press BROIL for the desired mode. "BROIL" and "Set temp or Press START" will appear in the display, and "550°F" (288°C) will be displayed.
3. Press START, if you wish to broil at 550°F (288°C).

OR

Enter the desired temperature by pressing the number keypad, and then press START. The temperature can be set from 450°F (232°C) to 550°F (288°C).

4. "BROIL" will appear in the display after Start is pressed.

NOTES:

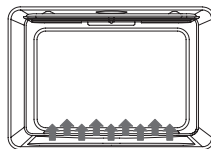
- The broil temperature can be changed at any time during cooking. Press CANCEL to clear the settings. Select oven mode, then enter the desired temperature by pressing the number keypad, and then press START.
- After selecting an Oven Mode and Temperature, you have the option to set a Cook Time and Start Time before pressing START. See "Cook Time" and "Start Time."

5. Press CANCEL when finished broiling, and remove food from the oven.

WARM/PROOF

The Warm mode keeps hot, cooked foods at serving temperature.

The Proof mode prepares dough for baking by activating the yeast. Follow the recipe directions as a guide.



⚠ WARNING

Food Poisoning Hazard

Do not let food sit in oven more than one hour before or after cooking.
Doing so can result in food poisoning or sickness.

IMPORTANT: Food must be at serving temperature before placing it in the warmed oven. Food may be held up to 1 hour; however, breads and casseroles may become too dry if left in the oven during the Warm function. For best results, cover food.

Warm

1. Press WARM/PROOF. "Warm" and "Set Temp or Press START" and 140°F (60°C) will be displayed.
2. Press START, if you want to Warm food at 140°F (60°C).

OR

Enter the desired temperature by pressing the number keypad, and then press START. The temperature can be set from 140°F (60°C) to 210°F (99°C).

3. "WARM" will appear in the display, once Start is pressed.

NOTE: After selecting an Oven Mode and Temperature, you have the option to set a Cook Time and Start Time before pressing START. See "Cook Time" and "Start Time."

4. Place food in the oven and close the door.
5. Press CANCEL when finished, and remove food from the oven.

To Cancel Warm Feature:

- Press CANCEL. Remove food from oven.

Proof

1. Before proofing, place the dough in a lightly greased bowl and cover loosely with wax paper, coated with shortening. Place on second rack from the bottom and close the oven door.
2. Press and hold WARM/PROOF for 3 seconds. "Proof" and "Set Temp or Press START," and 100°F (38°C) will be displayed.
3. Press START, if you want to Proof dough at 100°F (38°C).

OR

Enter the desired temperature by pressing the number keypad, and then press START. The temperature can be set from 80°F (27°C) to 120°F (49°C).

4. "PROOF" will appear in the display, once Start is pressed.

NOTE: After selecting an Oven Mode and Temperature, you have the option to set a Cook Time and Start Time before pressing START. See "Cook Time" and "Start Time."

5. Let the dough rise until nearly doubled in size, checking after 20-25 minutes. Proofing time may vary depending on dough type and quantity.
6. Press CANCEL when finished proofing.
7. Before second proofing, shape the dough, place it in baking pan(s) and cover loosely with plastic wrap, coated with cooking spray. Follow the same placement and control steps above. Before baking, remove the plastic wrap.

CONVECTION

During convection cooking, the fan provides hot air circulation throughout the oven. The movement of heated air around the food can help to speed up cooking by penetrating the cooler outer surfaces.

In Convection mode, the ring element, bake and broil elements, and the fan operate to heat the oven cavity. If the oven door is opened during convection cooking or preheating, the fan turns off immediately and the element(s) will turn off after 30 seconds. Once the door is closed, the element(s) will turn back on.

CONVECTION FAN

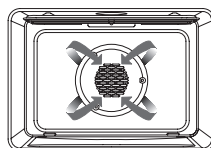
The convection fan operates during any convection mode. When the oven is operating in convection mode, the fan will turn off automatically when the door is opened. The convection fan always runs during the preheat time.

Advantages of Convection Cooking

- Saves time and energy.
- Even baking, browning and crisping are achieved.
- During roasting, juices and flavors are sealed in while the exterior is crisp.
- Yeast breads are lighter, more evenly textured, more golden and crustier.
- Air-leavened foods such as cream puffs, soufflés and meringues are higher and lighter.
- Baking on multiple racks at the same time with even results is possible.
- Prepare whole meals at once with no flavor transfer.
- Dehydrates herbs, fruits and vegetables.
- Requires no specialized bake ware.
- Convection broiling allows for extraordinary grilling with thicker cuts of food.

CONVECTION BAKE

Use Convection bake for single or multiple rack baking. When convection baking, reduce your recipe baking temperature by 25°F (15°C).



To Set Convection Bake:

1. Press CONVECTION once. "Convection" and "Press 1-3 To Choose" will appear in the display.
2. Press number 1 on the keypad. "Convect Bake" and "Set Temp or Press START" and 325°F (162°C) will be displayed.
3. Press START If you wish to convection bake at 325°F (162°C).

OR

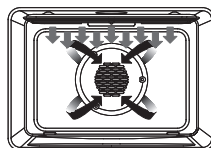
Enter the desired temperature by pressing the number keypad, and then press START. The temperature can be set from 170°F (77°C) to 500°F(260°C).

NOTE: After selecting an Oven Mode and Temperature, you have the option to set a Cook Time and Start Time before pressing START. See "Cook Time" and "Start Time."

4. The oven will begin preheating once Start is pressed. A tone will sound when the oven is at the set temperature.
5. Place the food in the oven and close the oven door when preheat is completed.
6. Press CANCEL when finished, and remove food from the oven.

CONVECTION BROIL

When convection broiling, enter your normal broiling temperature. The oven door must be closed when using Convection Broil.



It is not necessary to preheat the oven for Convection Broil.

1. Place the food in the oven and close the oven door.
2. Press CONVECTION once. "Convection and "Press 1-4 To Choose" will be displayed.
3. Press number 3 on the keypad. "Convect Broil" and "Set Temp or Press Start" and 450°F (232°C) will be displayed.

- Press START, if you wish to broil at 450°F (232°C).

OR

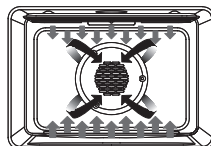
Enter the desired temperature by pressing the number keypad, and then press START. The temperature can be set from 170°F(77°C) to 550°F(288°C).

NOTE: After selecting an Oven Mode and Temperature, you have the option to set a Cook Time and Start Time before pressing START. See "Cook Time" and "Start Time."

- "Convect Broil" will be displayed, once Start is pressed.
- Press CANCEL when finished, and remove food from the oven.

CONVECTION ROAST

When Convection roasting, enter your normal roasting temperature. The roasting time should be 15-30% less than in conventional cooking. It is not necessary to preheat the oven for convection roast.



- Place the food in the oven and close the oven door.
- Press CONVECTION once. "Convection" and "Press 1-4 To Choose" will be displayed.
- Press number 2 on the keypad. "Convect Roast," "Set Temp or Press START", and 325°F (163°C) will be displayed.
- Press START, if you wish to convection roast at 325°F (163°C).

OR

Enter the desired temperature by pressing the number keypad, and then press START. The temperature can be set from 170°F (77°C) to 500°F (260°C).

NOTE: After selecting an Oven Mode and Temperature, you have the option to set a Cook Time and Start Time before pressing START. See "Cook Time" and "Start Time."

- "Convect Roast" will be displayed, once Start is pressed.
- Press CANCEL when finished and remove food from the oven.

Air Fry

Choosing function "Convection bake" and set temperature from 300-450°F.

CONVECTION CONVERSION



NOTES:

- When using Convection Conversion, enter the normal cooking temperature and time.
- The oven door must be closed before setting Convection Conversion.

MEAT (ONLY)

It is not necessary to preheat the oven for the Convection Conversion MEATS option. Preheating can cause overcooking. If preheat is required for the recipe, add 15 minutes to the Cook Time, and place food in the oven at the appropriate time.

- Place food the in oven and close the oven door.
- Press CONVECTION once. "Convection" and "Press 1-4 To Choose" will appear in the display.
- Press number 4 on the keypad. "Conv Conversion" and "Press 1-3 To Choose" will appear in the display.

4. Press the number keypad to select among the 1.MEAT, 2.BAKED GOODS and 3.OTHER FOODS options.
5. Press START to confirm the selection. "Set temp and press START" will appear in the display.
6. Enter your normal roasting temperature by pressing the number keypad.
7. Enter your normal Cook Time. See "Cook Time," and then press START.

NOTE: Setting a Cook Time is required for Convection Conversion oven mode. See "Cook Time."

BAKED GOODS AND OTHER FOODS (ONLY)

1. Preheating will start. Once the oven is preheated to the set temperature, the control will beep. Place the food the in oven and close the oven door.
2. At the end of the set cooking time, the oven will turn off automatically. The Alert tone will sound, and "Cooking Complete" will appear in the display.
3. Press CANCEL when finished and remove food from the oven.

BAKE TIPS

- For best results, bake food on a single rack with at least 1" - 1½" (2.5 - 3 cm) space between utensils and oven walls.
- Use one rack when selecting the bake mode.
- Check for doneness at the minimum time.
- Use metal bake ware (with or without a non stick finish), heatproof glass, glass-ceramic, pottery or other utensils suitable for the oven.
- When using heatproof glass, reduce temperature by 25°F (15°C) from recommended temperature.
- Use baking sheets with or without sides or jelly roll pans.
- Dark metal pans or nonstick coatings will cook faster with more browning. Insulated bake ware will slightly lengthen the cooking time for most foods.
- Do not use aluminum foil or disposable aluminum trays to line any part of the oven. Foil is an excellent heat insulator and heat will be trapped beneath it. This will alter the cooking performance and can damage the finish of the oven.
- Avoid using the opened door as a shelf to place pans.
- See Troubleshooting for tips for Baking and Roasting problems.

BAKE CHART

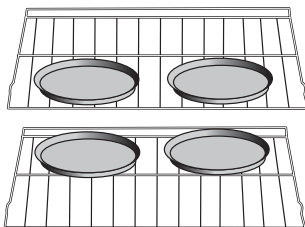
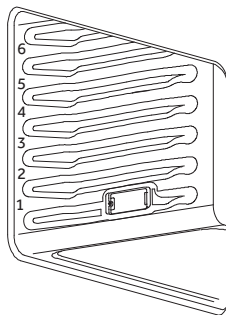
FOOD ITEM	RACK POSITION	TEMP. °F (°C) (PREHEATED OVEN)	TIME (MIN)
Cake			
Cupcakes	2	350 (175)	19-22
Bundt Cake	1	350 (175)	40-45
Angel Food	1	350 (175)	35-39
Pie			
2 crust, fresh, 9"	2	375-400 (190-205)	45-50
2 crust, frozen fruit, 9"	2	375 (190)	68-78
Cookies			
Sugar	2	350-375 (175-190)	8-10
Chocolate Chip	2	350-375 (175-190)	8-13
Brownies	2	350 (175)	29-36
Breads			
Yeast bread loaf, 9x5	2	375 (190)	18-22
Yeast rolls	2	375-400 (190-205)	12-15
Biscuits	2	375-400 (190-205)	7-9
Muffins	2	425 (220)	15-19
Pizza			
Frozen	2	400-450 (205-235)	23-26
Fresh	2	475 (246)	15-18

CONVECTION BAKE TIPS

Reduce recipe baking temperatures by 25°F (15°C).

- For best results, foods should be cooked uncovered, in low-sided pans to take advantage of the forced air circulation. Use shiny aluminum pans for best results unless otherwise specified.
- Heatproof glass or ceramic can be used. Reduce temperature by another 25°F (15°C) when using heatproof glass dishes for a total reduction of 50°F (30°C).
- Dark metal pans may be used. Note that food may brown faster when using dark metal bake ware.
- The number of racks used is determined by the height of the food to be cooked.
- Baked items, for the most part, cook extremely well in convection. Don't try to convert recipes such as custards, quiches, pumpkin pie, or cheesecakes, which do not benefit from the convection-heating process. Use the regular Bake mode for these foods.

- Multiple rack cooking for oven meals is done on rack positions 1, 2, 3, 4 and 5. All six racks can be used for cookies, biscuits and appetizers.
 - 2 Rack baking: Use positions 1 and 3.
 - When baking four cake layers at the same time, stagger pans so that one pan is not directly above another. For best results, place cakes on front of upper rack and back of lower rack (See graphic at right). Allow 1" - 1 ½" (2.5 - 3 cm) air space around pans.
- Converting your own recipe can be easy. Choose a recipe that will work well in convection.
- Reduce the temperature and cooking time if necessary. It may take some trial and error to achieve a perfect result. Keep track of your technique for the next time you want to prepare the recipe using convection.
- See Troubleshooting for tips for Baking and Roasting problems.



FOODS RECOMMENDED FOR CONVECTION BAKE MODE:

Appetizers, Biscuits, Coffee Cakes
Cookies (2 to 4 racks), Yeast Breads
Cream Puffs, Popovers
Casseroles and One-Dish Entrees
Oven Meals (rack positions 1, 2, 3)
Air Leavened Foods (Soufflés, Meringue, Meringue-Topped Desserts, Angel Food Cakes, Chiffon Cakes)

CONVECTION BAKE CHART

Reduce standard recipe temperature by 25 °F (15 °C) for Convection Bake.
Temperatures have been reduced in this chart.

FOOD ITEM	RACK POSITION	TEMP. °F (°C) (PREHEATED OVEN)	TIME (MIN)
Cake			
Cupcakes	2	325 (160)	20-22
Bundt Cake	1	325 (160)	43-50
Angel Food	1	325 (160)	43-47
Pie			
2 crust, fresh, 9"	2	350-400 (175-205)	40-52
2 crust, frozen fruit, 9"	2	350 (175)	68-78
Cookies			
Sugar	2	325-350 (160-175)	9-12
Chocolate Chip	2	325-350 (160-175)	8-13
Brownies	2	325 (160)	29-36
Breads			
Yeast bread loaf, 9x5	2	350 (175)	18-22
Yeast rolls	2	350-375 (175-190)	12-15
Biscuits	2	375 (190)	8-10
Muffins	2	400 (205)	17-21
Pizza			
Frozen	2	375-425 (190-220)	23-26
Fresh	2	450 (232)	15-18

CONVECTION ROAST TIPS

- Do not preheat for Convection Roast.
- Roast in a low-sided, uncovered pan.
- When roasting whole chickens or turkey, tuck wings behind back and loosely tie legs with kitchen string.
- Use the 2-piece broil pan for roasting uncovered.

WARNING



Burn Hazard

Use an oven mitt to remove temperature probe.

Do not touch broil element.

Failure to do so can result in burns.

- Use the probe or a meat thermometer to determine the internal doneness on "END" temperature (see cooking chart).
- Double-check the internal temperature of meat or poultry by inserting meat thermometer into another position.
- Large birds may also need to be covered with foil (and pan roasted) during a portion of the roasting time to prevent over-browning.
- The minimum safe temperature for stuffing in poultry is 165°F (75°C).
- After removing the item from the oven, cover loosely with foil for 10 to 15 minutes before carving if necessary to increase the final foodstuff temperature by 5° to 10°F (3° to 6° C).

CONVECTION ROAST CHART

MEATS	WEIGHT (lb)	OVEN TEMP. °F (°C)	RACK POSITION	TIME (min. per lb)	INTERNAL TEMP. °F (°C)
Beef					
Rib Roast	4-6	325 (160)	2	16-20 18-22	145 (63) medium rare 160 (71) medium
Rib Eye Roast, (boneless)	4-6	325 (160)	2	16-20 18-22	145 (63) medium rare 160 (71) medium
Rump, Eye, Tip, Sirloin (boneless)	3-6	325 (160)	2	16-20 18-22	145 (63) medium rare 160 (71) medium
Tenderloin Roast	2-3	400 (205)	2	15-20	145 (63) medium rare
Pork					
Loin Roast (boneless or bone-in)	5-8	350 (175)	2	16-20	160 (71) medium
Shoulder	3-6	350 (175)	2	20-25	160 (71) medium
Poultry					
Chicken whole	3-4	375 (190)	2	18-21	180 (82)
Turkey, not stuffed	12-15	325 (160)	1	10-14	180 (82)
Turkey, not stuffed	16-20	325 (160)	1	9-11	180 (82)
Turkey, not stuffed	21-25	325 (160)	1	6-10	180 (82)
Turkey Breast	3-8	325 (160)	1	15-20	170 (77)
Comish Hen	1-1 ½	350 (175)	2	45-75 total	180 (82)
Lamb					
Half Leg	3-4	325 (160)	2	22-27 28-33	160 (71) medium 170 (77) well
Whole Leg	6-8	325 (160)	1	22-27 28-33	160 (71) medium 170 (77) well

CONVECTION BROIL TIPS

- Place rack in the required position needed before turning on the oven.
- Use Convection Broil mode with the oven door closed.
- Do not preheat oven.
- Use the 2-piece broil pan.
- Turn meats once halfway through the cooking time (see convection broil chart).

CONVECTION BROIL CHART

FOOD AND THICKNESS	RACK POSITION	BROIL SETTING °F (°C)	INTERNAL TEMP. °F (°C)	TIME SIDE 1 (MIN.)*	TIME SIDE 2 (MIN.)*
Beef					
Steak (1½" or more)					
Medium rare	4	450 (235)	145 (65)	9-12	8-10
Medium	4	450 (235)	160 (71)	11-13	10-12
Well	4	450 (235)	170 (77)	18-20	16-17
Hamburgers (more than 1")					
Medium	4	550 (290)	160 (71)	8-11	5-7
Well	4	550 (290)	170 (77)	11-13	8-10
Poultry					
Chicken Quarters	4	450 (235)	180 (82)	16-18	10-13
Chicken Halves	3	450 (235)	180 (82)	25-27	15-18
Chicken Breasts	4	450 (235)	170 (77)	13-15	9-13
Pork					
Pork Chops (1¼" or more)	4	450 (235)	160 (71)	12-14	11-13
Sausage - fresh	4	450 (235)	160 (71)	4-6	3-5

DEHYDRATE TIPS

The circulating heated air at a lower temperature slowly removes the moisture for food preservation.

- Oven temperature for dehydrating is between 120°F (50°C) to 160°F (70°C).
- Multiple racks can be used simultaneously.
- Some foods require as much as 14-15 hours of time to fully dehydrate.
- Consult a food preservation book for specific times and the handling of various foods.
- This mode is suitable for a variety of fruits, vegetables, herbs and meat strips.
- Drying screens can be purchased at specialty kitchen shops.
- By using paper towels, some food moisture can be absorbed before dehydrating begins (such as with sliced tomatoes or sliced peaches).

DEHYDRATE CHART

FOOD	PREPARATION	APPROXIMATE DRYING TIME* (hrs)	TEST FOR DONENESS
Fruit			
Apples	Dipped in ¼ cup lemon juice and 2 cups water, ¼ slices	11-15	Slightly pliable
Bananas	Dipped in ¼ cup lemon juice and 2 cups water, ¼ slices	11-15	Slightly pliable
Cherries	Wash and towel dry. For fresh cherries, remove pits	10-15	Pliable, leathery, chewy
Oranges Peels and slices	¼ slices of orange; orange part of skin thinly peeled from oranges	Peels 2-4 Slices: 12-16	Orange peel: dry and brittle Orange slices: skins are dry and brittle, fruit is slightly moist
Pineapple rings	Towel dried	Canned: 9-13 Fresh: 8-12	Soft and pliable
Strawberries	Wash and towel dry. Sliced ½" thick, skin (outside) down on rack	12-17	Dry, brittle
Vegetable			
Peppers	Wash and towel dry. Remove membrane of pepper, coarsely chopped about 1" pieces	16-20	Leathery with no moisture inside

FOOD	PREPARATION	APPROXIMATE DRYING TIME* (hrs)	TEST FOR DONENESS
Mushrooms	Wash and towel dry. Cut of stem end. Cut into 1/8" slices	7-12	Tough and leathery, dry
Tomatoes	Wash and towel dry. Cut this slices, 1/8" thick, dry well	16-23	Dry, brick red color
Herbs			
Oregano, sage parsley and thyme, and fennel	Rinse and dry with paper towel	Dry at 120°F (60°C) 3-5 hrs	Crisp and brittle
Basil	Use basil leaves 3 to 4 inches from top. Spray with water, shake off moisture and pat dry	Dry at 120°F (60°C) 3-5 hrs	Crisp and brittle

BROIL TIPS

- Place rack in the required position needed before turning on the oven.
- Use Broil mode with the oven door closed.
- Preheat oven for 5 minutes before use.
- Use the 2-piece broil pan.
- Turn meats once halfway through the cooking time (see convection broil chart).

BROIL CHART

FOOD AND THICKNESS	RACK POSITION	BROIL SETTING °F (°C)	INTERNAL TEMP. °F (°C)	TIME SIDE 1 (MIN.)*	TIME SIDE 2 (MIN.)*
Beef					
Steak (3/4"-1")					
Medium rare	5	5	145 (65)	5-7	4-6
Medium	5	5	160 (71)	6-8	5-7
Well	5	5	170 (77)	8-10	7-9
Hamburgers (3/4"-1")					
Medium	4	5	160 (71)	8-11	6-9
Well	4	5	170 (77)	10-13	8-10
Poultry					
Breast (bone-in)	4	4	170 (77)	10-12	8-10
Thigh (very well done)	4	3	180 (82)	28-30	13-15
Pork					
Pork Chops (1")	5	5	160 (71)	7-9	5-7

FOOD AND THICKNESS	RACK POSITION	BROIL SETTING °F (°C)	INTERNAL TEMP. °F (°C)	TIME SIDE 1 (MIN.)*	TIME SIDE 2 (MIN.)*
Sausage - fresh	5	5	160 (71)	5-7	3-5
Ham Slice (½")	5	5	160 (71)	4-6	3-5
Seafood					
Fish Filets, 1" Buttered	4	4	Cook until opaque & flakes easily with fork	10-14	Do not turn
Lamb					
Chops (1")					
Medium Rare	5	5	145 (63)	5-7	4-6
Medium	5	5	160 (71)	6-8	4-6
Well	5	5	170 (77)	7-9	5-7
Bread					
Garlic Bread, 1" slices	4	5		2-2,30	
Garlic Bread, 1" slices	3	5		4-6	

* Broiling and convection broiling times are approximate and may vary slightly
Cooking times are indicative and also depend on the thickness and the starting temperature of the meat before cooking.

FOOD SERVICE TEMPERATURE GUIDELINES FROM FSIS (USDA FOOD SAFETY & INSPECTION SERVICE)

140°F (60°C)	Ham, precooked (to Reheat)	165°F (74°C)	Stuffing (cooked alone or in bird)
145°F (63°C)	Fresh beef, Veal, Lamb (medium rare)		Leftovers & Casseroles
160°F (71°C)	Ground Meat & Meat mixtures (Beef, Pork, Veal Lamb)	170°F (77°C)	Fresh beef, Veal, Lamb (well done)
	Fresh beef, Veal, Lamb (medium)		Poultry breast
	Fresh Pork (medium)		Fresh Pork (well done)
	Fresh Ham (raw)	180°F (82°C)	Chicken and Turkey (Whole)
	Egg Dishes		Poultry (thighs and wings)
Ground Meat & Meat mixtures (Turkey, Chicken)	Duck and Goose		

NOTE: Eggs (alone, not used in a recipe) – cook until yolk & white are firm

Meat Thermometer

On models without a temperature probe, use a meat thermometer to determine whether meat, poultry and fish are cooked to the desired degree of doneness. The internal temperature, not appearance, should be used to determine doneness.

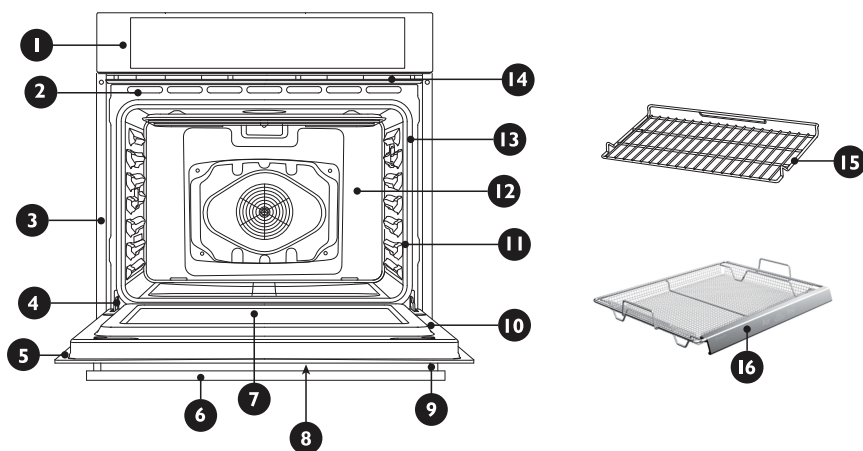
OVEN CARE

GENERAL CLEANING

IMPORTANT: Before Cleaning, make sure all controls are off and the oven is cool. Always follow the instructions printed on the label of the cleaning products.

USING THE CLEANING CHART

1. Locate the number of the part to be cleaned in the following illustration.
2. Find the part name in the chart.
 - Use the cleaning method in the left column if the oven is black or white.
 - Use the cleaning method in the right column if the oven is stainless steel.
3. Match the letter with the cleaning method on following chart.



Part		Cleaning Method	Part		Cleaning Method
		Stainless Steel Oven			Stainless Steel Oven
1	Control Panel	C-G	10	Interior Oven Door	E
2	Door Cooling Vent	E	11	Oven Front Frame	E
3	Side Trim	D	12	Oven Cavity	E
4	Bottom Trim	D	13	Door Gasket	B
5	Door Frame	E	14	Oven Cooling Vents	D
6	Door Handle	G	15	Oven Rack	A
7	Interior Door Windows	F	16	Air fry basket	A
8	Door Front	C&G			
9	End Caps	D			

OVEN FINISHES / CLEANING METHODS

The entire oven can be safely cleaned with a soapy sponge, rinsed and dried. If stubborn soil remains, follow the recommended cleaning methods below.

- Always use the mildest cleaner that will do the job.
- Rub metal finishes in the direction of the grain.
- Use clean, soft cloths, sponges or paper towels.
- Rinse thoroughly with a minimum of water so it does not drip into door slots.
- Dry to avoid water marks.

The cleaners listed below indicate types of products to use and are not being endorsed. Use all products according to package directions.

Part	Cleaning Method
A Chrome Plated	<p>Wash with hot sudsy water. Rinse thoroughly and dry. Or, gently rub with Soft Scrub®, Bon-Ami®, Comet®, Ajax®, Brillo® or S.O.S.® pads as directed.</p> <p>Easy Off® or Dow® Oven Cleaners (cold oven formula) can be used, but may cause darkening and discoloration.</p> <p>Racks may be cleaned in the oven during the Self-Cleaning mode. However, chromed racks will lose their shiny finish and permanently change to a metallic gray.</p>
B Fiberglass Knit	DO NOT HAND CLEAN GASKET.
C Glass	Spray Windex® or Glass Plus® onto a cloth first, then wipe to clean. Use Fantastik® or Formula 409® to remove grease spatters.
D Painted	Clean with hot sudsy water or apply Fantastik® or Formula 409® first to a clean sponge or paper towel and wipe clean. Avoid using powdered cleansers and steel wool pads.

E Porcelain	Immediately wipe up acidic spills like fruit juice, milk and tomatoes with a dry towel. Do not use a moistened sponge/towel on hot porcelain. When cool, clean with hot sudsy water or apply Bon-Ami® or Soft Scrub® to a damp sponge. Rinse and dry. For stubborn stains, gently use Brillo® or S.O.S.® pads. It is normal for porcelain to craze (fine lines) with age due to exposure from heat and food soil.
F Reflective Glass	Clean with hot sudsy water and sponge or plastic scrubber. Rub stubborn stains with vinegar, Windex®, ammonia or Bon-Ami® DO NOT USE HARSH ABRASIVES.
G Stainless	Always wipe or rub with grain. Clean with a soapy sponge then rinse and dry. Or, wipe with Fantastik® or Formula 409® sprayed onto a paper towel. Protect and polish with Stainless Steel Magic® and a soft cloth. Remove water spots with a cloth dampened with white vinegar. Use Zud®, Cameo®, Bar Keeper's Friend® or RevereWare Stainless Steel Cleaner®, to remove heat discoloration.

AUTOMATIC SELF-CLEANING

⚠ WARNING



Burn Hazard

Do not touch the oven during the Self-Cleaning cycle.

Keep children away from oven during Self-Cleaning cycle.

Failure to do so can result in burns.

This oven features a self-cleaning function that eliminates the need to manually scrub the oven interior. During self-cleaning, the oven uses very high temperatures, burning soil to a powdery ash.

IMPORTANT: The health of some birds is extremely sensitive to the fumes given off during the Self-Cleaning cycle. Exposure to the fumes may result in death to certain birds. Always move birds to another closed and well-ventilated room.

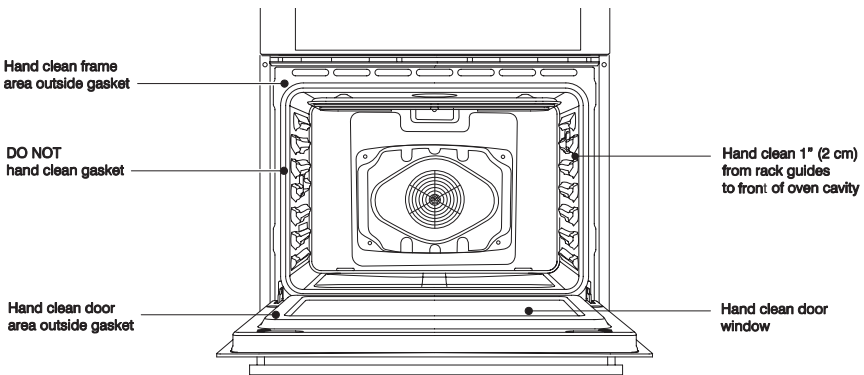
- Keep the kitchen well ventilated during the Self-Cleaning cycle to help get rid of heat, odors and smoke.
- It is common to see smoke and/or an occasional flame-up during the Self-Clean cycle, depending on the content and amount of soil remaining in the oven. If a flame persists, turn off the oven and allow it to cool before opening the door to wipe up the excessive food soil.
- Do not block the oven vent(s) during the Self-Cleaning cycle. Air must be able to move freely. See "Oven Vents."
- Do not clean, rub, damage or move the oven door gasket.
- The door latch is automatically activated after selecting the Self-Clean cycle. "AUTO LOCK" will appear in the display. This ensures that the oven door cannot be opened while the oven interior is at clean temperatures.

- The oven is preset for a 2.5 hour clean cycle; however, the time can be changed. Suggested clean times are 2 hours for light soil and between 3.0 hours and 3.5 hours for average to heavy soil.
- Clean mode stops automatically at the end of the set cleaning time.
- When the oven heat drops to a safe temperature, the automatic door lock will release and the door can be opened.
- The oven light does not operate during Clean mode.

BEFORE SELF-CLEANING

1. Remove all utensils and bakeware.
2. Remove non-porcelain oven racks. If chromed racks are left in the oven during the self-clean cycle, they will permanently lose the shiny finish and change to a dull dark finish. See "Oven Finishes/Cleaning Methods" for proper care.
3. Wipe up any soft soil spills and grease with paper towels. Excess grease will cause flames and smoke inside the oven during self-cleaning.
4. Be sure oven interior lights are turned off and the light bulbs and lens covers are in place.
5. Some areas of the oven such as the oven door edge, oven door window, oven front frame and up to 1½" (2-3 cm) inside the frame do not get hot enough during the cleaning cycle for soil to burn away and must be cleaned by hand. BEFORE the cycle begins, clean oven interior using a soapy sponge or plastic scrubber and a solution of detergent and hot water. Rinse and dry all areas thoroughly.

NOTE: Do not rub the oven door gasket.



SELF-CLEAN CYCLE

A minimum 24-hour wait is recommended between cleaning cycles.

To Self-Clean:

1. Close the oven door.
2. Press SELF CLEAN. "REMOVE RACKS" will scroll in the selected oven text area of the display.
3. "2:00 3:00 3:30" will appear in the display.
4. Use the number keypad to select the clean level.

5. If you want to delay the start of the self-cleaning cycle, press DELAY START, and then set a time, by pressing the number keypad.
6. Press START.

After the door is locked, "SELF CLEAN" will scroll in the selected text area until the clean cycle is finished.

When the Self-clean Cycle Ends:

"COMPLETE" appears in the display and the oven door unlocks.

7. Once the oven has completely cooled, remove ash with a damp cloth.

NOTE: To avoid breaking the glass, do not apply a cool, damp cloth to the inner door glass before it has cooled completely.

OVEN DOOR REMOVAL

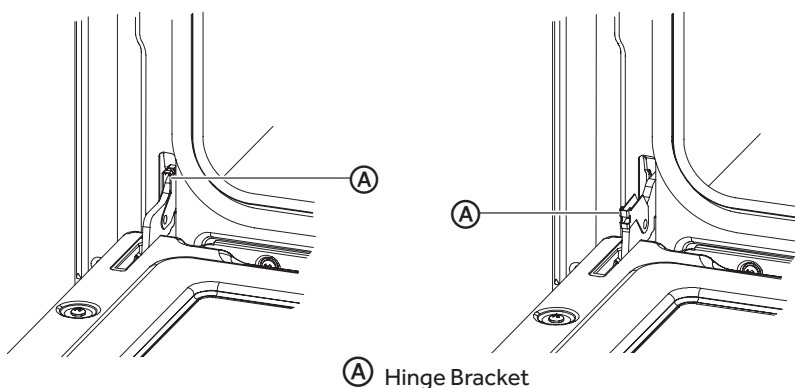
For normal oven use, there is no need to remove the oven door. However, should it become necessary to remove the door, follow the instructions in this section.

IMPORTANT:

- Make sure oven is cool and that power to the oven has been turned off before removing the door.
- The oven door is heavy and fragile, and the door front is glass. To avoid oven door glass breakage, use both hands, and grasp only the sides of the oven door to remove. Do not grasp the handle.
- Be sure both levers are securely in place before removing the door.
- Do not force door open or closed.

To Remove the Oven Door:

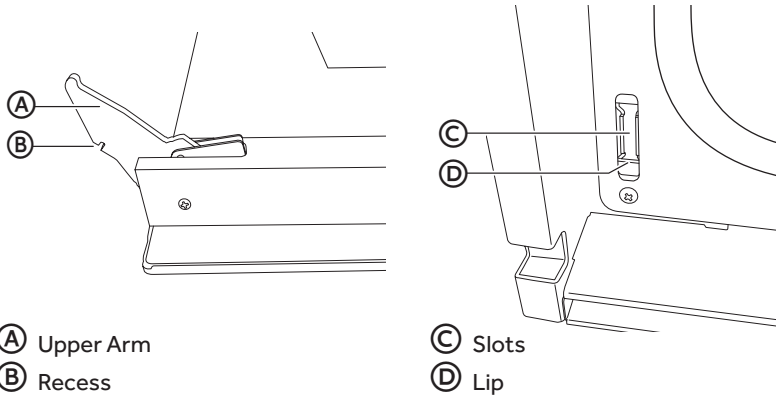
1. Open the door completely.
2. Flip up the hinge latch on each side.



3. Holding the door firmly, close the oven door completely.
4. Grasping both sides lift up on the oven door while pushing it closed, and then pull it away from the door frame.
5. Place the door in a protected location.

To Replace the Oven Door:

1. Holding the door firmly, insert the upper arms of both hinges into the slots. The recesses must hook on the lips.



2. Open the oven door.
NOTE: You should hear a “click” sound when the door is correctly in place.
3. Move the hinge latch on each side back into the locked position.
4. Open and close the door to test that it operates freely. If it does not, repeat the door removal and replacement process.
5. Close and open the door slowly to assure that it is correctly and securely in place.

REPLACING AN OVEN LIGHT

⚠ WARNING



Electrical Shock Hazard

Make sure the oven and lights are cool and power to the oven has been turned off before replacing the light bulb(s).

The lenses must be in place when using the oven. The lenses serve to protect the light bulb from breaking.

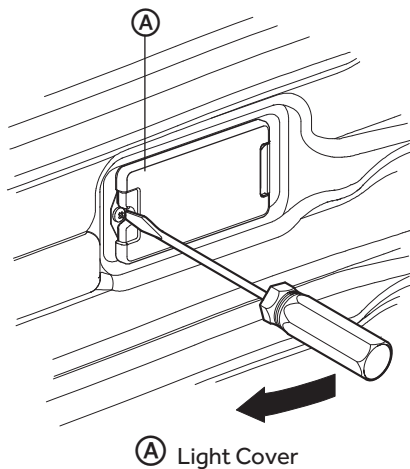
The lenses are made of glass. Handle carefully to avoid breakage.

Failure to do so could result in death, electric shock, cuts or burns.

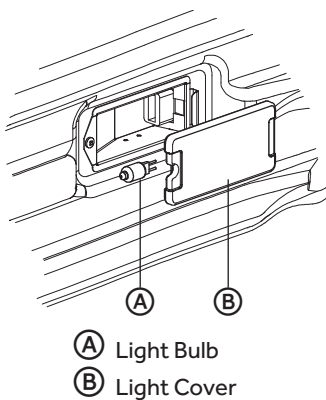
The oven light is a standard 25 watt (G9) appliance bulb.

IMPORTANT: Before replacing the bulb, make sure the oven is cool and the controls are turned off.

1. Disconnect power at the main power supply (fuse or breaker box).
2. Using a Phillips-head screwdriver, remove the screw, and then remove the cover.



3. Remove the burned out bulb from the socket.



NOTE: To avoid damage or decreasing the life of the new bulb, do not touch bulb with bare fingers. Wear cotton gloves or use a tissue when replacing the light bulb.

4. Replace the bulb, and then replace the bulb cover.
5. Reconnect power at the main power supply (fuse or breaker box).

TROUBLESHOOTING

First try the solutions suggested here to possibly avoid the cost of a service call.

BAKING AND ROASTING

With either Bake or Convection Bake and Convection Roast poor results can occur for many reasons other than a malfunction of the oven. Check the chart below for causes of the most common problems. Since the size, shape and material of baking utensils directly affect the baking results, the best solution may be to replace old baking utensils that have darkened and warped with age and use. Check the Baking Charts for the correct rack position and baking time.

BAKING PROBLEM	CAUSE
Food browns unevenly	<ul style="list-style-type: none"> • Oven not preheated • Aluminum foil on oven rack or oven bottom • Baking utensil too large for recipe • Pans touching each other or oven walls
Food too brown on bottom	<ul style="list-style-type: none"> • Oven not preheated • Using glass, dull or darkened metal pans • Incorrect rack position • Pans touching each other or oven walls
Food is dry or has shrunk excessively	<ul style="list-style-type: none"> • Oven temperature too high • Baking time too long • Oven door opened frequently • Pan size too large
Food is baking or roasting too slowly	<ul style="list-style-type: none"> • Oven temperature too low • Oven not preheated • Oven door opened frequently • Tightly sealed with aluminum foil • Pan size too small
Piecrusts do not brown on bottom or crust is soggy	<ul style="list-style-type: none"> • Baking time not long enough • Using shiny steel pans • Incorrect rack position • Oven temperature is too low
Cakes pale, flat and may not be done inside	<ul style="list-style-type: none"> • Oven temperature too low • Incorrect baking time • Cake tested too soon • Oven door opened too often • Pan size may be too large

BAKING PROBLEM	CAUSE
Cakes high in middle with crack on top	<ul style="list-style-type: none"> • Oven temperature too high • Baking time too long • Pans touching each other or oven walls • Incorrect rack position • Pan size too small
Piecrust edges too brown	<ul style="list-style-type: none"> • Oven temperature too high • Edges of crust too thin

OPERATION

PROBLEM	POSSIBLE CAUSE	SOLUTION
F03 or F04 Error appears in the display window.	A problem with latch mechanism occurred.	Turn off power at the main power supply (fuse or breaker box), wait a few seconds and turn it back on again. The oven should run a latch auto-test. If condition persists, note the code number and call an authorized service center.
Other F_ Error appears in the display window.		Turn off power at the main power supply (fuse or breaker box), wait a few seconds and turn it back on again. If condition persists, note the code number and call an authorized service center.
The oven display does not illuminate.		Turn off power at the main power supply (fuse or breaker box). Turn breaker back on. If condition persists, call an authorized service center.
Cooling fan continues to run after oven is turned off.	The oven components have not cooled sufficiently.	The fan turns off automatically when the electronic components have cooled sufficiently.
Oven door is locked and will not release, even after cooling.		Turn the oven off at the circuit breaker and wait a few seconds. Turn breaker back on. The oven should reset itself and will be operable.
Oven is not heating.	No power going to the oven.	Turn on power at the main power supply (fuse or circuit breaker box). If condition persists, call a qualified electrician.
	Oven Mode or Temperature not selected.	Turn control knobs to select the oven mode and temperature.
Oven is not cooking evenly	Oven rack is not in correct position.	Refer to cook charts for recommended rack position.
	Convection Bake Mode	Always reduce recipe temperature by 25°F (15 °C) when baking with Convection Bake mode.

PROBLEM	POSSIBLE CAUSE	SOLUTION
Oven light is not working properly.	Light bulb is loose or burned out.	Replace or reinsert the light bulb if loose or defective. Touching the bulb with fingers may cause the bulb to burn out.
Oven light stays on.	Oven door does not close completely.	Check for obstruction in oven door. Check to see if hinge is bent or door switch is broken.
Cannot remove lens cover on light.	Lens cover is dirty.	There may be a soil build-up around the lens cover. Wipe lens cover area with a clean dry towel prior to attempting to remove the lens cover.
Oven will not Self-Clean properly.	Oven was still warm when Cleaning mode was selected.	Allow the oven to cool before running Self-Cleaning.
	Oven is heavily soiled.	Always wipe out loose soils or heavy spillover before running Self-Cleaning. See Preparing the Oven to Self-Clean.
		If oven is badly soiled, set oven for a 4-hour Self-Cleaning.
Clock and timer are not working properly.	No power going to the oven.	Turn on power at the main power supply (fuse or circuit breaker box). If condition persists, call an authorized service center.
	Clock or Timer not set correctly.	See the Clock and Timer sections.
Excessive moisture	Oven was not properly preheated.	When using bake mode, preheat the oven first. Convection Bake and Convection Roast will eliminate any moisture in oven (one of the advantages of convection).
Porcelain chips	Oven racks removed and replaced incorrectly.	When oven racks are removed and replaced, always tilt racks upward and do not force them to avoid chipping the porcelain.

TABLE DES MATIERES

SÉCURITÉ DE DE FOUR	44
Avertissements pour l'Installation de Electrique	45
CARACTÉRISTIQUES DE VOTRE FOUR	49
TABLEAU DE COMMANDE	50
Commandes d'activation des modes des fours.....	50
Affichage	50
Mise en marche/verrouillage des commandes	50
Annulation.....	51
Light (lampe).....	51
Minuterie	51
Durée de cuisson	52
Heure de démarrage.....	52
Réglages	53
Autonettoyage.....	56
UTILISATION DU FOUR	56
Avant d'utiliser le four	56
Général	56
Commande de la température du four	60
Modes de four	60
Conseils et technique de cuisson	67
Conseils de convection	68
Conseils de convection cuisson.....	70
Conseils et techniques pour le convection grill	72
Conseils et techniques de déshydratation.....	72
Conseils de grill	74
Guide de temperature de service de la fsis	75
ENTRETIEN DU FOUR	76
Nettoyage général	76
Autonettoyage automatique	78
Dépose de la porte du four.....	80
Remplacement d'une ampoule du four	82
DÉPANNAGE	84
Cuisson et rôtissage.....	84
Fonctionnement.....	85

SÉCURITÉ DE DE FOUR

Votre sécurité et celle des autres est très importante.

Nous donnons de nombreux messages de sécurité importants dans ce manuel et sur votre appareil ménager. Assurez-vous de toujours lire tous les messages de sécurité et de vous y conformer.



Voici le symbole d'alerte de sécurité.

Ce symbole d'alerte de sécurité vous signale les dangers potentiels de décès et de blessures graves à vous et à d'autres. Tous les messages de sécurité suivront le symbole d'alerte de sécurité et le mot "DANGER", "AVERTISSEMENT" ou "ATTENTION".

Ces mots signifient :

! DANGER

Une situation de danger imminent. Vous courez le risque d'un décès ou de blessures graves si vous ne suivez pas immédiatement les instructions.

! AVERTISSEMENT

Une situation potentiellement dangereuse qui, si vous ne l'évitez pas, peut provoquer la mort ou des blessures graves.

! ATTENTION

Une situation potentiellement dangereuse qui, si vous ne l'évitez pas, peut entraîner des blessures légères à modérées.

Tous les messages de sécurité vous diront quel est le danger potentiel et comment réduire le risque de blessure et ce qui peut se produire en cas de non-respect des instructions.

AVERTISSEMENTS POUR L'INSTALLATION DE ELECTRIQUE

⚠ AVERTISSEMENT



Risque de choc électrique

L'installation et les opérations de dépannage doivent être effectuées par un installateur qualifié ou par une agence de réparation.

L'alimentation des modèles peut être de 240 V ou de 208 V.

Toujours déconnecter la source de courant avant toute intervention sur l'appareil.

L'appareil doit être correctement relié à la terre.

Le non-respect de ces instructions pourrait causer un décès ou une blessure grave.

IMPORTANTES INSTRUCTIONS DE SÉCURITÉ

AVERTISSEMENT : Afin de réduire le risque d'incendie, de choc électrique, de blessures corporelles ou de dommage lors de l'utilisation du four, il convient d'observer certaines précautions fondamentales, notamment :

Installation correcte

- Cet appareil doit être correctement installé et relié à la terre par un technicien qualifié. Brancher sur une prise correctement reliée à la terre uniquement. Voir les "Instructions de mise à la terre" incluses dans les instructions d'installation.
- Seul un technicien qualifié est habilité à effectuer une intervention d'entretien sur cet appareil. Contacter le centre de service agréé le plus proche pour examen, réparation ou réglage.
- Ne pas réparer ou remplacer une pièce quelconque du four sans recommandation spécifique. Confier les interventions d'entretien à un réparateur agréé.

IMPORTANTES INSTRUCTIONS DE SÉCURITÉ

- Ne pas utiliser cet appareil s'il ne fonctionne pas correctement ou s'il a été endommagé, jusqu'à ce qu'il soit examiné par un réparateur agréé.
 - N'installer et ne choisir l'emplacement de cet appareil qu'en conformité avec les instructions d'installation.
 - Utiliser cet appareil uniquement selon les modalités d'utilisation prévues par le fabricant. Pour toute question, contacter le fabricant.
 - Ne pas couvrir ou obstruer toute ouverture de cet appareil.
 - Utiliser cet appareil uniquement dans le but auquel il est destiné et tel que décrit dans le présent manuel d'utilisation. Ne pas utiliser de produits chimiques corrosifs ou dégageant des vapeurs, ou encore des produits non alimentaires dans cet appareil. Ce type de four est spécialement conçu pour chauffer ou cuire des aliments. Il n'est pas conçu pour une utilisation à des fins industrielles ou en laboratoire. L'utilisation de produits chimiques corrosifs durant le chauffage ou le nettoyage endommagera l'appareil.
- Pour réduire le risque d'incendie dans la cavité du four :**
- Ne pas remettre de matériaux inflammables dans le four ou à proximité.
 - Ne pas utiliser d'eau sur un incendie de graisse. Éteindre le feu ou utiliser un extincteur polyvalent avec agent chimique sec ou mousseux.
 - Il est fortement recommandé de prévoir un extincteur à portée de main et mis en évidence près de tout appareil de cuisson.
 - Ne pas faire cuire les aliments excessivement. Surveiller attentivement le four si du papier, du plastique ou d'autres matériaux combustibles sont placés à l'intérieur du four.
 - Ne pas utiliser la cavité du four pour remisage. Ne pas laisser de produits en papier, d'ustensiles de cuisson ou d'aliments dans la cavité lorsque le four n'est pas utilisé.
 - Si des matériaux à l'intérieur du four s'enflammaient, garder la porte du four fermée. Éteindre le four et déconnecter le circuit dans le boîtier de disjoncteurs.
 - S'assurer que le ventilateur est en marche chaque fois que le four est en cours d'utilisation. Si le ventilateur ne fonctionne pas, ne pas utiliser le four. Appeler un centre de service agréé.

IMPORTANTES INSTRUCTIONS DE SÉCURITÉ

- Ne jamais utiliser le four pour réchauffer ou chauffer une pièce. Cela peut endommager les composants du four.

Sécurité personnelle

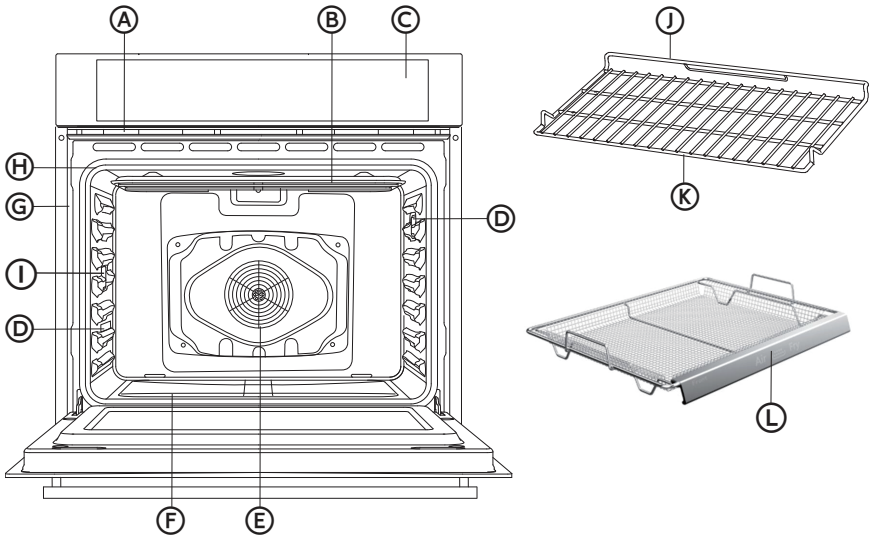
- Ne pas laisser les enfants utiliser cet appareil à moins qu'ils ne se trouvent sous la stricte surveillance d'un adulte. Les enfants et les animaux de compagnie ne doivent pas être laissés seuls ou sans surveillance dans la pièce où l'appareil est utilisé. Ne pas laisser les enfants s'asseoir ou se tenir debout sur une partie quelconque du four.
- Ne pas entreposer des objets pouvant intéresser les enfants au-dessus du four. Si les enfants grimpaient sur l'appareil pour attraper ces objets, ils pourraient se blesser gravement.
- Pour votre sécurité personnelle, porter des vêtements appropriés. Ne jamais porter de vêtements non ajustés ou avec des manches pendantes lors de l'utilisation de l'appareil.
- Attacher les cheveux longs de manière à ce qu'ils ne pendent pas.
- Ne pas toucher les éléments chauffants ou les surfaces intérieures du four.
- Les éléments chauffants peuvent être chauds bien qu'ils soient de couleur sombre. Les surfaces intérieures du four peuvent devenir suffisamment chaudes pour provoquer des brûlures.
- Pendant et après l'utilisation, ne pas toucher ou laisser des vêtements ou d'autres matériaux inflammables en contact avec les éléments chauffants ou les surfaces intérieures tant qu'elles n'ont pas suffisamment refroidi.
- L'encadrement supérieur et latéral de la porte du four peut devenir suffisamment chaud pour provoquer des brûlures.
- Ouvrir la porte avec précaution. Entrouvrir la porte pour laisser s'échapper l'air chaud ou la vapeur avant de retirer ou de replacer des aliments.
- Ne pas chauffer des contenants alimentaires fermés. La pression accumulée pourrait faire éclater le contenant et provoquer des blessures.
- Toujours placer les grilles du four à la position souhaitée lorsque le four est froid. Si l'on doit déplacer une grille pendant que le four est chaud, ne pas laisser la mitaine de four entrer en contact avec les éléments chauffants brûlants.

IMPORTANTES INSTRUCTIONS DE SÉCURITÉ

- Utiliser uniquement des mitaines de four sèches. Utiliser des mitaines de four humides ou trempées pour manipuler des ustensiles de cuisson chauds peut entraîner des brûlures dues à la vapeur. Ne pas laisser les mitaines toucher des éléments chauffants brûlants. Ne pas utiliser un chiffon ou tout autre tissu encombrant.
 - Ne pas nettoyer le joint de la porte. Celui-ci est essentiel pour une bonne étanchéité. Des précautions devraient être prises pour ne pas frotter, endommager, déplacer ou retirer le joint de la porte.
 - Ne pas utiliser de nettoyant à four commercial ou tout type de revêtement de protection intérieur de four dans le four ou autour de ses composants.
 - Nettoyer uniquement les composants du four énumérés dans ce manuel.
 - Les autres surfaces de l'appareil peuvent devenir suffisamment chaudes pour entraîner des brûlures - notamment (identification des surfaces - par exemple les ouvertures d'évacuation du four et les surfaces adjacentes à ces ouvertures, les portes de four et les hublots des portes de four).
- Sécurité du four en mode d'autonettoyage :**
- Avant de lancer le programme d'autonettoyage du four, retirer la lèchefrite, les grilles du four (uniquement si elles ne sont pas en porcelaine), les autres ustensiles et l'excès de renversements mous.
 - Confirmer que la porte se verrouille et ne s'ouvrira pas une fois que les deux sélecteurs sont en position CLEAN (nettoyage) et que l'icône de verrouillage de la porte s'affiche. Si la porte ne se verrouille pas, tourner le sélecteur de mode de cuisson sur OFF (éteint) et ne pas lancer le programme d'autonettoyage. Effectuer un appel de service.

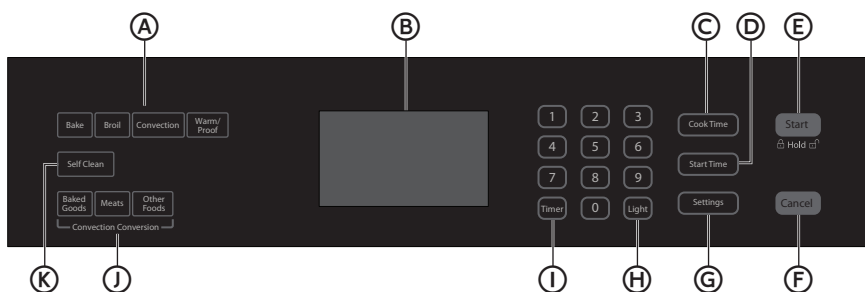
LIRE ET CONSERVER CES INSTRUCTIONS

CARACTÉRISTIQUES DE VOTRE FOUR



- | | |
|---------------------------------------|--------------------------------|
| Ⓐ Évent du four | Ⓖ Plaque de modèle et série n° |
| Ⓑ Élément de grill | ⓓ Joint de porte |
| Ⓒ Panneau de contrôle | ⓔ Sonde thermique |
| Ⓓ Ampoule halogène | ⓙ Arrière de la grille du four |
| Ⓔ Ventilateur à convection et élément | Ⓚ Devant de la grille du four |
| ⓕ Élément de cuisson (non visible) | Ⓛ Panier de friture à l'air |

TABLEAU DE COMMANDE



A Commandes d'activation des modes du four

B Affichage

C Durée de cuisson

D Heure de démarrage

E Mise en marche/verrouillage des commandes (appuyer pendant 3 secondes)

F Annulation

G Réglages

H Lampe

I Minuterie

J Commandes du mode Convection à la convection

K Autonettoyage

F Annulation

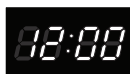
COMMANDES D'ACTIVATION DES MODES DES FOURS



Faire un choix parmi les modes Bake (cuisson au four), Broil (cuisson au grill), Convection (cuisson par convection) et Warm/Proof (maintien au chaud/levée).

REMARQUE : Le contrôle chaud / étanche bascule entre les deux modes d'étuve en le maintenant pendant 3 secondes.

AFFICHAGE



Lors de la mise sous tension initiale du four ou si une panne de courant se produit, "12:00" s'affiche.

Voir la section "Horloge" ci-après pour des instructions permettant de régler l'heure. Lorsque le four n'est pas en marche, l'heure est affichée.

MISE EN MARCHÉ/VERROUILLAGE DES COMMANDES



MISE EN MARCHÉ

La commande Start (mise en marche) active n'importe quelle fonction du four. Si, après avoir appuyé sur une touche, on n'appuie pas sur Start (mise en marche) dans les 2 minutes qui suivent, la fonction est annulée et l'heure s'affiche.

VERROUILLAGE DU TABLEAU DE COMMANDE

Le tableau de commande du four peut être verrouillé afin d'éviter l'utilisation involontaire du four.

REMARQUES :

- Les commandes ne peuvent pas être verrouillées si le four est en cours d'utilisation ou si la fonction Cook Time (durée de cuisson) est activée.
- L'heure actuelle reste affichée lorsque les commandes sont verrouillées.

Verrouillage du tableau de commande :

- Appuyer sur START (mise en marche) pendant 3 secondes ou jusqu'à ce que "LOCKED" (commandes verrouillées) s'affiche. "LOCKED" (commandes verrouillées) reste affiché.

Déverrouillage du tableau de commande :

- Appuyer sur START (mise en marche) pendant 3 secondes ou jusqu'à ce que "LOCKED" (commandes verrouillées) défile sur l'affichage.

ANNULATION

- Appuyez sur le bouton annuler pour arrêter toute fonction sauf le verrouillage du panneau de configuration.

LIGHT (LAMPE)

Les lampes du four s'allument et s'éteignent automatiquement lorsque la porte du four est ouverte et fermée.

- Lorsque la porte du four est fermée, appuyer sur la touche LIGHT (lampe) pour allumer ou éteindre la lampe du four.

MINUTERIE

La minuterie peut être réglée en heures ou en minutes jusqu'à concurrence de 11 heures et 59 minutes.

Réglage de la minuterie :

1. Appuyer sur TIMER (minuterie).
2. Appuyer sur les touches numériques pour entrer la durée en heures et en minutes.
3. Appuyer sur TIMER (minuterie) pour commencer le compte à rebours. S'il(s) est (sont) activé(s), un (des) signal (signaux) sonore(s) retentit (retentissent) à la fin du compte à rebours.
4. Appuyer sur TIMER (minuterie) pour annuler la minuterie et revenir à l'heure du jour.

REMARQUE : Ne pas appuyer sur la touche CANCEL (annulation), sinon le four s'éteindra.

DURÉE DE CUISSON

La fonction Cook Time (durée de cuisson) permet d'allumer le four à une certaine heure de la journée, d'effectuer une cuisson pendant une durée déterminée, puis d'éteindre le four automatiquement.

IMPORTANT : Avant de pouvoir régler une durée de cuisson, un mode du four doit avoir été sélectionné.

REMARQUES :

- La durée de cuisson peut être réglée en heures ou en minutes jusqu'à concurrence de 11 heures et 59 minutes.
- Pour modifier cette durée en cours de cuisson, appuyer sur CANCEL (annulation). Entrer la nouvelle durée de cuisson, puis appuyer sur START (mise en marche).
- Une fois la durée de cuisson réglée écoulée, le four s'éteint automatiquement, le signal sonore de fin de programme retentit et "Cooking Complete" (cuisson terminée) s'affiche.

Réglage d'une durée de cuisson :

1. Sélectionner le mode de cuisson.
2. Sélectionner la température.
3. Appuyer sur COOK TIME (durée de cuisson). Entrer la durée de cuisson souhaitée à l'aide du clavier numérique.
4. Appuyer sur START (mise en marche). Le four commence le préchauffage.

REMARQUES :

- La durée de cuisson est au format HR:MIN et passe au format MIN:SEC durant la dernière minute.
- Le signal sonore retentira jusqu'à ce que la fonction Cook Time (durée de cuisson) soit annulée.

HEURE DE DÉMARRAGE

Cette fonction permet de régler le four de sorte qu'il se mette en marche plus tard.

IMPORTANT : L'horloge doit être réglée à la bonne heure.

1. Sélectionner un mode du four.
2. Sélectionner la température.
3. Régler la durée de cuisson.
4. Appuyer sur START TIME (heure de démarrage).
5. Entrer la durée de cuisson souhaitée à l'aide du clavier numérique. "Press START" (appuyer sur Mise en marche) s'affiche. Si aucune durée de cuisson n'a été programmée, le tableau de commande demande à l'utilisateur de régler une durée de cuisson ("Set Cook Time").

⚠️ AVERTISSEMENT

Risque d'intoxication alimentaire

Ne pas laisser d'aliments dans un four plus d'une heure avant ou après la cuisson.

Le non-respect de cette instruction peut causer une intoxication alimentaire ou une maladie.

- Placer les aliments dans le four et fermer la porte du four.
- Appuyer sur START (mise en marche). La fonction Heure de démarrage effectuera un compte à rebours jusqu'à ce que l'heure programmée soit atteinte.

REMARQUE : Une fois la durée de cuisson réglée écoulée, le four s'éteint automatiquement, le signal sonore de fin de cuisson retentit et "Cooking Complete" (cuisson terminée) s'affiche.

RÉGLAGES

Settings

La commande Settings (réglages) permet d'accéder au menu pour d'autres fonctions et caractéristiques.

Appuyer sur SETTINGS (réglages) pour afficher les options du menu 1 à 6. Appuyer sur START (mise en marche) pour afficher les options 7 à 9.

HORLOGE

L'horloge peut être réglée pour afficher l'heure selon un format de 12 heures ou de 24 heures. L'horloge est réglée à l'usine sur un format de 12 heures.

Réglage de l'horloge :

REMARQUE : Avant de procéder au réglage de l'horloge, s'assurer que le four est éteint et que la minuterie est désactivée.

- Appuyer sur SETTINGS (réglages). Les diverses options s'affichent.
- Appuyer sur "1" sur le clavier numérique. "Clock" (horloge) s'affiche.
- Appuyer sur 1 (mise en marche) pour alterner entre AM (heure du matin) et PM (heure de l'après-midi/soir).
- Appuyer sur les touches numériques pour régler l'heure.
- Appuyer sur SETTINGS (réglages) pour valider, l'heure est réglée.

Pour faire passer l'horloge au format de 24 heures :

- Appuyer sur SETTINGS (réglages). Les diverses options s'affichent.
- Appuyer sur "5" sur le clavier numérique. "12/24 HOUR" (12/24 heures) et "12" s'affichent.
- Appuyer sur la touche numérique "1" pour faire passer le réglage de 12/24 heures à 24 heures.
- Appuyer sur SETTINGS (réglages) pour confirmer. Le réglage 12/24 heures est désormais modifié.

SIGNAUX SONORES

Les signaux sonores avertissent l'utilisateur de divers événements :

Nombre de signaux sonores	Indique		
	1	Sélection valide	Saisie d'une fonction
2	Appui sur une touche non valide		
4	Fin de programme	Fin de la minuterie	

Activation/désactivation du son :

Le son du four est préréglé à l'usine sur Marche mais peut être modifié et réglé sur Arrêt.

1. Appuyer sur SETTINGS (réglages). Les diverses options s'affichent.
2. Appuyer sur "3" sur le clavier numérique. "SOUND" (son) et "ON" (activé) s'affichent
3. Appuyer sur "1" sur le clavier numérique. "ON/OFF" (activé/désactivé) s'affiche.
4. Appuyer sur la touche numérique "1" pour désactiver le son.
5. Appuyer sur SETTINGS (réglages) pour confirmer. Le son est désormais désactivé.
6. Appuyer sur SETTINGS (réglages), puis suivre les instructions à l'écran pour réactiver le son.

Réglage du volume sonore :

Le volume sonore du four est préréglé à l'usine sur Élevé mais peut être modifié et réglé sur Bas.

1. Appuyer sur SETTINGS (réglages). Les diverses options s'affichent.
2. Appuyer sur "4" sur le clavier numérique. "SOUND VOLUME" (volume sonore) et "HIGH" (élevé) s'affichent.
3. Appuyer sur "1" sur le clavier numérique. "HIGH/LOW" (élevé/bas) s'affiche.
4. Appuyer sur la touche numérique "1" pour régler le son au niveau Bas.
5. Appuyer sur SETTINGS (réglages) pour confirmer. Le volume sonore est désormais modifié.
6. Appuyer sur SETTINGS (réglages), puis suivre les instructions à l'écran pour rétablir le réglage du son à Élevé.

DEGRÉS FAHRENHEIT ET CELSIUS

Le tableau de commande est préréglé à l'usine pour afficher la température en degrés Fahrenheit, mais ce réglage peut être modifié pour un affichage en degrés Celsius.

Modifier l'affichage des degrés Fahrenheit en degrés Celsius :

1. Appuyer sur SETTINGS (réglages). Les diverses options s'affichent.
2. Appuyer sur "2" sur le clavier numérique. "TEMP UNIT" (unité de température) et "FAHRENHEIT" s'affichent.

3. Appuyer sur "1" sur le clavier numérique. "DEGREE F/C" (degrés F/C) s'affiche.
4. Appuyer sur la touche numérique "1" pour modifier l'unité de température en degrés Celsius.
5. Appuyer sur SETTINGS (réglages) pour confirmer. Les unités de température ont été modifiées.
6. Appuyer sur SETTINGS (réglages), puis suivre les instructions à l'écran pour revenir aux degrés Fahrenheit.

MODE SABBAT

Le mode Sabbath (Sabbat) est conçu pour les personnes dont les pratiques religieuses requièrent la désactivation de certaines fonctions du four. En activant le mode Sabbath, le four se conforme aux critères du Sabbath juif Star-K.

REMARQUE : Le four est préréglé à l'usine avec le mode Sabbath désactivé.

Activation/désactivation du mode Sabbath :

1. S'assurer que le four est éteint et que la sonde de température n'est pas branchée.

REMARQUE : Le mode Sabbath ne peut pas être programmé lorsque le four est allumé. Le four ne reconnaîtra pas la sonde de température lorsque le mode Sabbath est activé.

2. Appuyer sur SETTINGS (réglages) > appuyer sur START (mise en marche) > appuyer sur "7", puis sur "1" pour alterner entre ON / OFF (activé/désactivé).
3. Appuyer de nouveau sur "SETTINGS" (réglages) pour activer le mode Sabbath. La seule fonction de cuisson fonctionnant avec le mode Sabbath activé est la fonction Bake (cuisson au four).

Cuisson au four avec le mode Sabbath activé :

1. Appuyer sur BAKE (cuisson au four) pendant 3 secondes.
2. Entrer la température du four souhaitée à l'aide du clavier numérique.
3. Après avoir sélectionné Bake (cuisson au four) et une température, il est alors possible de programmer une durée de cuisson et une heure de démarrage avant d'appuyer sur START (mise en marche). Voir les sections "Durée de cuisson" et "Heure de démarrage".
4. Appuyer sur START (mise en marche). Appuyer sur START (mise en marche) active le mode Sabbath.

Seule la fonction Cancel (annulation) est opérationnelle.

- Appuyer deux fois sur CANCEL (annulation) pour quitter le mode Sabbath et rétablir un fonctionnement normal du four. L'affichage de l'heure est rétabli.

REMARQUE : Si le four est en mode Sabbath et qu'une panne de courant se produit, le four quittera alors le mode Sabbath et recommencera à fonctionner en mode normal une fois le courant rétabli.

LANGUE

La langue est uniquement définie sur l'anglais et elle ne peut pas être changée dans une autre langue.

AUTONETTOYAGE Self Clean

Active la fonction d'autonettoyage. Voir la section "Entretien du four".

UTILISATION DU FOUR

AVANT D'UTILISER LE FOUR

1. Tourner le bouton de réglage de la température au réglage le plus élevé.
2. Tourner le bouton de sélection du mode de cuisson sur un mode de cuisson.
3. Laisser le four fonctionner pendant 30 minutes, cavité vide et porte fermée.

REMARQUE : Toute odeur pouvant être décelée durant la première utilisation est due à l'évaporation des substances utilisées pour protéger le four pendant l'entreposage.

4. Éteindre le four et le laisser refroidir.

GÉNÉRAL

IMPORTANT : Ne placer aucun objet (notamment des plats, de l'aluminium et des plaques de sole) dans le fond du four lorsque celui-ci fonctionne pour éviter d'endommager l'émail.

1. Placer le ou les ustensile(s) de cuisson contenant les aliments sur l'une ou les deux grilles fournies avec le four.
2. Appuyer sur la commande de mode du four pour sélectionner la fonction du four désirée.
3. Utiliser le clavier numérique pour entrer la température du four.
4. Appuyer sur START (mise en marche).

PRÉCHAUFFAGE DU FOUR

- Préchauffez le four pour les modes de Cuisson, Convection, Cuisson au four et Cuisson a convection.
- Sélectionnez une température plus élevée ne réduit pas le temps de préchauffage.
- Le préchauffage est nécessaire pour de bons résultats lorsque vous cuisinez des gâteaux, des biscuits, des pâtisseries et du pain.

- Le préchauffage aidera à saisir les rôtis et à garder la viande juteuse.
- Places les grilles de four dans leur position appropriée avant le préchauffage.
- Pendant le préchauffage, la température de cuisson choisie est toujours affichée.
- Un signal va confirmer que le four est préchauffé et l'écriture "PREHEAT" s'éteindra.

SUGGESTIONS D'UTILISATION

- Utilisez les tableaux de cuisson comme guide.
- Ne posez pas les plats sur la porte ouverte.
- Utilisez la lumière intérieure du four pour voir la nourriture à travers la fenêtre de la porte du four plutôt que d'ouvrir la porte fréquemment.

SONDE THERMIQUE

⚠ AVERTISSEMENT



Risque de brûlures

Utiliser des mitaines de four pour retirer la sonde thermométrique.

Ne pas toucher l'élément du grill.

Le non-respect de ces instructions peut causer des brûlures.

La sonde thermique contrôle la température interne des aliments, souvent utilisée en tant qu'indicateur du degré de cuisson tout particulièrement pour les viandes et la volaille, puis éteint le four lorsque la température interne des aliments a atteint la température programmée. La sonde thermique fonctionne avec tous les modes du four à l'exception des modes Warm/Proof (maintien au chaud/levée), Sabbath (Sabbat) et Self-Clean (autonettoyage).

IMPORTANT : Toujours débrancher et retirer la sonde thermique du four lorsqu'on retire les aliments.

Utilisation de la sonde thermique :

1. Insérer la sonde dans l'aliment.

REMARQUE : Pour les viandes, la pointe de la sonde doit être insérée au cœur de la partie la plus épaisse de la viande. S'assurer que cette pointe n'est pas insérée dans du gras et qu'elle ne touche pas un os.

2. Placer les aliments dans le four. En gardant la sonde thermique aussi loin que possible d'une source de chaleur, brancher la sonde dans la prise du four. Fermer la porte du four.
3. Sélectionner le mode du four.
4. Régler la température du four à l'aide des touches du clavier numérique.

- Appuyer sur START (mise en marche). La température du four réglée reste affichée pendant toute la cuisson.
- Régler la température interne souhaitée des aliments au moyen des touches du clavier numérique, puis appuyer de nouveau sur START (mise en marche).

REMARQUES :

- La température interne des aliments peut être réglée entre 110 °F et 200 °F (43 °C et 93 °C).
 - Lorsque la température réglée de la sonde est atteinte, le four s'éteint automatiquement.
- Appuyer sur CANCEL (annulation) une fois la cuisson terminée. Débrancher la sonde thermique et retirer les aliments du four.

REMARQUE : L'icône de la sonde restera illuminée jusqu'à ce que la sonde soit débranchée.

USTENSILES

- Les plats de cuisson en verre absorbent la chaleur. Réduisez la température du four de 15 °C (25 °F) lors de la cuisson dans un plat en verre.
- Utilisez des casseroles qui vous permettront d'obtenir le brunissage désiré. Le type de fini de la casserole vous aidera à déterminer le niveau de brunissage que vous obtiendrez.
 - Le métal lisse et brillant et les casseroles légères antiadhésives anodisés reflètent de la chaleur, entraînant un brunissage léger et plus délicat. Les gâteaux et les biscuits nécessitent ce type d'article.
 - Les casseroles foncées, lourdes ou mates absorberont la chaleur permettant d'obtenir des croûtes bien dorées et croustillantes. Utilisez ce type d'assiettes pour les tartes.
- Ne faites pas cuire d'aliments avec une lèche-frite vide dans le four, puisque ceci pourrait changer le rendement de cuisson. Rangez la lèche-frite à l'extérieur du four.

CUISSON À HAUTE ALTITUDE

Lorsque vous cuisinez à haute altitude, les recettes et les durées de cuisson varient de la norme.

GRILLES DE FOUR

IMPORTANT : Afin d'éviter des dommages permanents au fini en porcelaine, placer les aliments ou les ustensiles de cuisson sur une grille de four. Ne pas placer des aliments ou des ustensiles de cuisson directement sur la porte du four ou le fond du four.

- Les grilles de four peuvent être positionnées à n'importe laquelle des six hauteurs du four.
- Placer les grilles avant d'allumer le four.
- S'assurer que les grilles du four sont de niveau.
- Les grilles de four sont équipées d'une butée pour empêcher leur retrait complet accidentel.

Pour enlever les grilles:

- Tirer la grille jusqu'à la butée d'arrêt, soulever le rebord avant et la tirer pour l'extraire.

Pour remplacer une grille:

- Placer la grille de four sur les supports en métal positionnés le long des parois latérales du four. Incliner légèrement le bord avant et faire glisser la grille vers l'arrière jusqu'à ce qu'elle arrive à la butée d'arrêt. Abaisser l'avant et faire glisser la grille dans le four.

VENTILATEUR DE REFROIDISSEMENT

S'active durant le mode d'auto-nettoyage ou de cuisson pour refroidir les composants internes et les surfaces externes de la porte. L'air est évacué par l'évent situé au-dessus de la porte du four. Le ventilateur de refroidissement continue de fonctionner jusqu'à ce que les composants soient suffisamment refroidis. Ce ventilateur fonctionne à double vitesse (ou trs/min) en mode d'auto-nettoyage et quand la température des composants internes devient élevée.

VITRE DE LA PORTE DU FOUR**Pour éviter de briser la vitre de la porte du four :**

- Ne pas fermer la porte du four si les grilles ne sont pas complètement insérées dans la cavité du four ou lorsque les ustensiles de cuisson dépassent à l'avant d'une grille du four.
- Ne pas entreposer d'objets sur la vitre de la porte du four.
- Ne pas frapper la vitre avec des ustensiles de cuisson ou d'autres objets.
- Ne pas essuyer les vitres avant que le four n'ait complètement refroidi.

ÉVÉNEMENTS DU FOUR

Le fait d'obstruer ou de couvrir les événements du four résulte sur une mauvaise circulation de l'air, ce qui affecte les résultats de cuisson, de nettoyage et de refroidissement.

- Le(s) événement(s) des fours inférieur et supérieur permet(tent) à l'air frais de pénétrer dans le système de refroidissement.
- L'événement du four inférieur permet également à l'air chaud d'être expulsé du système de refroidissement.

CONDENSATION DU FOUR ET TEMPÉRATURE

- Il est normal qu'une certaine quantité d'humidité s'évapore des aliments pendant la cuisson. La quantité dépend de l'humidité contenue dans la nourriture.
- L'humidité peut se condenser sur toute surface plus froide que l'intérieur du four, comme le tableau de commande.
- Votre nouveau four a un capteur électronique de température qui permet de maintenir soigneusement la température sélectionnée. Votre ancien four devait avoir un thermostat mécanique qui passait graduellement à une température plus élevée. Il est normal que vous ayez à ajuster vos recettes préférées en cuisinant dans un nouveau four.

COMMANDE DE LA TEMPÉRATURE DU FOUR

Le four fournit des températures précises; toutefois, il peut cuire plus rapidement ou plus lentement que votre ancien four, c'est pourquoi le calibrage de la température peut être ajusté. Il peut être modifié en degrés Fahrenheit ou Celsius.

Un signe moins signifie que le four sera plus froid du nombre de degrés affiché. L'absence de signe moins signifie que le four sera plus chaud du nombre de degrés affiché.

Utiliser le tableau suivant comme guide.

AJUSTMENT EN °F (AJUSTEMENT EN °C)	CUIT LES ALIMENTS
10°F (6°C)	un peu plus
20°F (12°C)	modérément plus
30°F (17°C)	beaucoup plus
-10°F (-6°C)	un peu moins
-20°F (-12°C)	modérément moins
-30°F (-17°C)	beaucoup moins

Ajustement du calibrage de la température du four :

1. Appuyer sur SETTINGS (réglages). Les diverses options s'affichent.
2. Appuyer sur la touche "9" du clavier numérique. "CALIBRATION" (calibrage) et "PRESS 3 TO INCREASE/ PRESS 6 TO DECREASE" (Appuyer sur "3" pour augmenter / appuyer sur "6" pour diminuer) défilent sur l'affichage.
3. Appuyer sur la touche numérique "3" pour augmenter la température ou sur la touche numérique "6" pour la diminuer par tranches de 5 °F (3 °C). L'ajustement peut être réglé entre 30 °F (18 °C) et - 30 °F (- 18 °C).
4. Appuyer sur SETTINGS (réglages) pour enregistrer le réglage et quitter le menu de calibrage de la température.

MODES DE FOUR

Les illustrations montrent les éléments chauffants et les ventilateurs utilisés pour chaque mode du four.

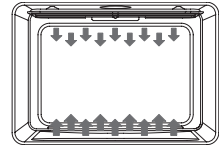
REMARQUE : L'élément inférieur est dissimulé sous le fond du four.

BAKE (CUISSON AU FOUR)

La cuisson au four est une cuisson à l'air chauffé. Les éléments chauffants supérieur et inférieur du four sont utilisés pour chauffer l'air, mais aucun ventilateur n'est utilisé pour faire circuler la chaleur.

Suivre la recette ou les directives de l'aliment prêt-à-servir pour la température et durée de cuisson, ainsi que la position de la grille. La durée de cuisson varie selon la température des ingrédients, ainsi que leur taille et leur forme; elle varie également en fonction du revêtement de l'ustensile de cuisson.

1. Appuyer sur BAKE (cuisson au four) pour sélectionner le mode Bake (cuisson au four). "BAKE" (cuisson au four) et 350 °F (177 °C) s'affichent. "Set temp or Press START" (régler la température ou appuyer sur mise en marche) s'affiche.
2. Appuyer sur START (mise en marche) si une cuisson au four à 350 °F (177 °C) est désirée.



OU

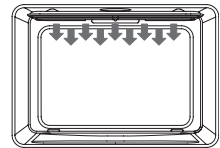
Entrer la température désirée au moyen du clavier numérique, puis appuyer sur START (mise en marche). La température peut être réglée entre 170 °F (77 °C) et 500 °F (260 °C).

REMARQUES :

- La température peut être modifiée en tout temps en cours de cuisson. Appuyer sur CANCEL (annulation) pour effacer les réglages. Sélectionner un mode du four, puis entrer la température souhaitée au moyen du clavier numérique, puis appuyer sur START (mise en marche).
 - Après avoir sélectionné un mode du four et une température, il est alors possible de programmer une durée de cuisson et une heure de démarrage avant d'appuyer sur START (mise en marche). Voir les sections "Durée de cuisson" et "Heure de démarrage".
3. Une fois la cuisson terminée, appuyer sur CANCEL (annulation) et retirer les aliments du four.

BROIL (GRIL)

La cuisson au gril utilise la chaleur radiante directe pour cuire les aliments. Plus la température est basse, plus la cuisson est lente. Les morceaux épais et de forme irrégulière de viande, de poisson et de volaille cuisent mieux à des températures de cuisson au gril plus basses.



- Pour de meilleurs résultats, utiliser une lèchefrite avec une grille. Elle est conçue pour laisser s'écouler les jus et aider à éviter les éclaboussures et la fumée.
- Pour que l'écoulement puisse se faire correctement, ne pas recouvrir la grille de papier d'aluminium. Le fond de la lèchefrite peut être recouvert de papier d'aluminium pour en faciliter le nettoyage.
- Enlever l'excès de graisse pour réduire les éclaboussures. Entailler le gras résiduel sur les côtés pour éviter que la viande ne se recroqueville.
- Sélectionner la cuisson au gril HI/550 °F (288 °C) pour la plupart des cuissons au gril. Sélectionner une cuisson au gril au réglage LO (bas) à 450 °F (232 °C) pour la cuisson au gril à basse température d'aliments mettant plus de temps à cuire tels que la volaille, afin d'éviter une surcuisson.
- Sortir la grille jusqu'à la butée d'arrêt avant de tourner ou d'enlever les aliments. Utiliser une pince pour tourner les aliments et éviter la perte de jus. Il est possible qu'il ne soit pas nécessaire de tourner les coupes très minces de poisson, de volaille ou de viande.

Cuisson au gril :

1. Placer l'aliment sur la grille de la lèchefrite, puis mettre le plat dans le four. Fermer la porte du four.

REMARQUE : Le préchauffage n'est pas nécessaire.

2. Appuyer sur BROIL (cuisson au gril) pour le four que l'on souhaite utiliser. "BROIL" (cuisson au gril), "Set temp or Press START" (Rég. temp. ou Appuyer sur mise en marche) et "550 °F (288 °C)" s'affichent.
3. Appuyer sur START (mise en marche) si une cuisson au gril à 550 °F (288 °C) est désirée.

OU

Entrer la température souhaitée au moyen du clavier numérique, puis appuyer sur START (mise en marche). La température peut être réglée entre 450 °F (232 °C) et 550 °F (288 °C).

4. "BROIL" (cuisson au gril) s'affiche après avoir appuyé sur la touche START (mise en marche).

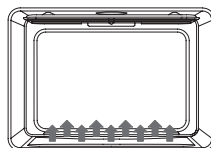
REMARQUES :

- La température peut être modifiée en tout temps en cours de cuisson. Appuyer sur CANCEL (annulation) pour effacer les réglages. Sélectionner un mode du four, puis entrer la température souhaitée au moyen du clavier numérique, puis appuyer sur START (mise en marche).
 - Après avoir sélectionné un mode du four et une température, il est alors possible de programmer une durée de cuisson et une heure de démarrage avant d'appuyer sur START (mise en marche). Voir les sections "Durée de cuisson" et "Heure de démarrage".
5. Une fois la cuisson au gril terminée, appuyer sur CANCEL (annulation) et retirer les aliments du four.

MAINTIEN AU CHAUD/LEVÉE

Le mode Warm (maintien au chaud) garde au chaud les aliments cuits, à la température de service.

Le mode Proof (levée) prépare la pâte pour la cuisson au four en activant la levure. Suivre les instructions de la recette comme guide.



⚠ AVERTISSEMENT

Risque d'intoxication alimentaire

Ne pas laisser d'aliments dans un four plus d'une heure avant ou après la cuisson.

Le non-respect de cette instruction peut causer une intoxication alimentaire ou une maladie.

IMPORTANT : Les aliments doivent être à la température de service avant d'être placés dans le four chaud. Les aliments peuvent être gardés au four jusqu'à 1 heure; toutefois, les pains et les mets en sauce risquent de trop sécher s'ils sont laissés dans le four durant le fonctionnement de la fonction Warm (maintien au chaud). Pour de meilleurs résultats, couvrir les aliments.

Warm (maintien au chaud)

1. Appuyer sur la touche WARM/PROOF (maintien au chaud/levée). "Warm" (maintien au chaud) et "Set temp or Press START" (Rég. temp. ou Appuyer sur mise en marche) et 140 °F (60 °C) s'affichent.
2. Appuyer sur START (mise en marche) si un maintien au chaud à 140 °F (60 °C) est désiré.

OU

Entrer la température souhaitée au moyen du clavier numérique, puis appuyer sur START (mise en marche). La température peut être réglée entre 140 °F (60 °C) et 210 °F (99 °C).

3. "WARM" (maintien au chaud) s'affiche après avoir appuyé une fois sur la touche Start (mise en marche).

REMARQUE : Après avoir sélectionné un mode du four et une température, il est alors possible de programmer une durée de cuisson et une heure de démarrage avant d'appuyer sur START (mise en marche). Voir les sections "Durée de cuisson" et "Heure de démarrage".

4. Placer les aliments dans le four et fermer la porte.
5. Une fois le maintien au chaud terminé, appuyer sur CANCEL (annulation) et retirer les aliments du four.

Annulation de la fonction de maintien au chaud :

- Appuyer sur CANCEL (annulation). Retirer les aliments du four.

Proof (levée)

1. Avant la levée, placer la pâte dans un saladier légèrement graissé et couvrir sans serrer avec du papier ciré recouvert de shortening. Poser sur la deuxième grille en partant du bas, puis fermer la porte du four.
2. Appuyer sur WARM/PROOF (maintien au chaud/levée) pendant 3 secondes. "Proof" (levée) et "Set temp or Press START" (Rég. temp. ou Appuyer sur mise en marche) et 100 °F (38 °C) s'affichent.
3. Appuyer sur START (mise en marche) si une levée à 100 °F (38 °C) est désirée.

OU

Entrer la température souhaitée au moyen du clavier numérique, puis appuyer sur START (mise en marche). La température peut être réglée entre 80 °F (27 °C) et 120 °F (49 °C).

4. "PROOF" (levée) s'affiche après avoir appuyé une fois sur la touche Start (mise en marche).

REMARQUE : Après avoir sélectionné un mode du four et une température, il est alors possible de programmer une durée de cuisson et une heure de démarrage avant d'appuyer sur START (mise en marche). Voir les sections "Durée de cuisson" et "Heure de démarrage".

5. Laisser la pâte lever jusqu'à ce qu'elle ait presque doublé de volume, en vérifiant après 20 à 25 minutes. La durée de levée peut varier en fonction du type de pâte et de la quantité.
6. Appuyer sur CANCEL (annulation) lorsque la levée est terminée.
7. Avant d'effectuer une seconde levée, mettre la pâte en forme, la placer dans un ustensile de cuisson au four et couvrir sans serrer avec du film étirable, enduit d'aérosol de cuisson. Reprendre le même positionnement et vérifier que les étapes ci-dessus ont bien été suivies. Avant la cuisson au four, retirer le film.

CONVECTION

Lors de la cuisson par convection, le ventilateur fait circuler l'air chaud de façon uniforme dans le four. Le déplacement de l'air chaud autour des aliments peut accélérer la cuisson par la pénétration des surfaces extérieures froides.

En mode Convection, l'élément en anneau, les éléments de cuisson au four et au gril et le ventilateur sont tous sollicités pour chauffer la cavité du four. Si la porte du four est ouverte durant la cuisson par convection ou le préchauffage, le ventilateur s'éteint immédiatement et le(s) élément(s) s'éteint/s'éteignent après 30 secondes. L'élément/les éléments se rallume(nt) une fois que la porte est fermée.

VENTILATEUR DE CONVECTION

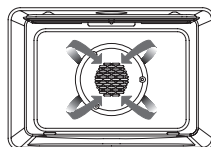
Le ventilateur de convection fonctionne durant n'importe quel mode de convection. Lorsque le four fonctionne en mode de convection, le ventilateur s'éteint automatiquement lorsque la porte est ouverte. Le ventilateur de convection fonctionne toujours pendant la période de préchauffage.

Avantages de la cuisson par convection

- Gain de temps et d'énergie.
- Permet de cuire, brunir et faire croustiller de façon homogène.
- Durant le rôtissage, les jus et les saveurs sont retenus à l'intérieur tandis que l'extérieur est croustillant.
- Les pains à la levure sont plus légers, leur texture est plus homogène, ils sont plus dorés et plus croustillants.
- Les aliments soufflés tels que les choux à la crème, les soufflés et les meringues sont plus hauts et plus légers.
- Il est possible de cuire au four sur plusieurs grilles en même temps d'une manière homogène.
- Préparez des pièces de viande entières sans transfert de saveur.
- Déshydratation des herbes, des fruits et des légumes.
- Ne nécessite aucun ustensile de cuisson au four particulier.
- La cuisson au gril par convection offre une excellente cuisson au gril pour les morceaux d'aliments plus épais.

CUISSON AU FOUR PAR CONVECTION

Utiliser la fonction Convection Bake (cuisson au four par convection) pour la cuisson au four sur une ou plusieurs grilles. Lors de la cuisson au four par convection, réduire la température de cuisson au four de la recette de 25 °F (15 °C).



Réglage de la cuisson au four par convection :

1. Appuyer une fois sur CONVECTION. "Convection" et "Press 1-3 To Choose" (Appuyer sur 1 à 3 pour choisir) s'affichent.
2. Appuyer sur "1" pour CONVECT BAKE (cuisson au four par convection) sur l'écran du menu. "Set temp or Press START" (Rég. temp. ou Appuyer sur mise en marche) et 325 °F (162 °C) s'affichent.
3. Appuyer sur START (mise en marche) si une cuisson au four par convection à 325 °F (162 °C) est désirée.

OU

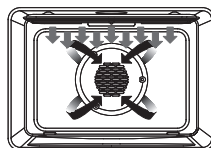
Entrer la température souhaitée au moyen du clavier numérique, puis appuyer sur START (mise en marche). La température peut être réglée entre 170 °F (77 °C) et 500 °F (260 °C).

REMARQUE : Après avoir sélectionné un mode du four et une température, il est alors possible de programmer une durée de cuisson et une heure de démarrage avant d'appuyer sur START (mise en marche). Voir les sections "Durée de cuisson" et "Heure de démarrage".

- Le four commence par un préchauffage une fois la touche Start (mise en marche) actionnée. Un signal sonore retentit lorsque le four a atteint la température réglée.
- Placer les aliments dans le four et fermer la porte du four une fois le préchauffage terminé.
- Une fois la cuisson terminée, appuyer sur CANCEL (annulation) et retirer les aliments du four.

CUISSON AU GRIL PAR CONVECTION

Pour la cuisson au gril par convection, entrer la température de cuisson au gril normale. La porte du four doit être fermée lorsqu'on utilise la fonction de cuisson au gril par convection.



Il n'est pas nécessaire de préchauffer le four pour la cuisson au gril par convection.

- Placer les aliments dans le four et fermer la porte du four.
- Appuyer une fois sur CONVECTION. "Convection" et "Press 1-4 To Choose" (Appuyer sur 1 à 4 pour choisir) s'affichent.
- Appuyer sur "3" pour CONVECT BROIL (cuisson au gril par convection) sur l'écran du menu. "Set temp or Press START" (Rég. temp. ou Appuyer sur mise en marche) et 450 °F (232 °C) s'affichent.
- Appuyer sur START (mise en marche) si une cuisson au gril à 450 °F (232 °C) est désirée.

OU

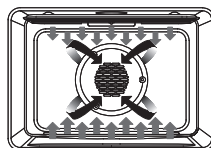
Entrer la température souhaitée au moyen du clavier numérique, puis appuyer sur START (mise en marche). La température peut être réglée entre 170 °F (77 °C) et 550 °F (288 °C).

REMARQUE : Après avoir sélectionné un mode du four et une température, il est alors possible de programmer une durée de cuisson et une heure de démarrage avant d'appuyer sur START (mise en marche). Voir les sections "Durée de cuisson" et "Heure de démarrage".

- Après avoir appuyé sur Start (mise en marche), "Convect Broil" (cuisson au gril par convection) s'affiche.
- Une fois la cuisson terminée, appuyer sur CANCEL (annulation) et retirer les aliments du four.

RÔTISSAGE PAR CONVECTION

Pour le rôtissage par convection, entrer la température de rôtissage normale. La durée de rôtissage doit être de 15 à 30 % inférieure à la durée d'une cuisson conventionnelle. Il n'est pas nécessaire de préchauffer le four pour le rôtissage par convection.



- Placer les aliments dans le four et fermer la porte du four.

2. Appuyer une fois sur CONVECTION. "Convection" et "Press 1-4 To Choose" (Appuyer sur 1 à 4 pour choisir) s'affichent.
3. Appuyer sur "2" pour CONVECT ROAST (rôtissage par convection) sur l'écran du menu. "Set temp or Press START" (Rég. temp. ou Appuyer sur mise en marche) et 325 °F (163 °C) s'affichent.
4. Appuyer sur START (mise en marche) si un rôtissage par convection à 325 °F (163 °C) est désiré.

OU

Entrer la température désirée au moyen du clavier numérique, puis appuyer sur START (mise en marche). La température peut être réglée entre 170°F (77 °C) et 500 °F (260 °C).

REMARQUE : Après avoir sélectionné un mode du four et une température, il est alors possible de programmer une durée de cuisson et une heure de démarrage avant d'appuyer sur START (mise en marche). Voir les sections "Durée de cuisson" et "Heure de démarrage".

5. Après avoir appuyé sur Start (mise en marche), "Convect Roast" (rôtissage par convection) s'affiche.
6. Une fois la cuisson terminée, appuyer sur CANCEL (annulation) et retirer les aliments du four.

Frيره à l'air

Choisir la fonction "Convection bake" et régler la température de 300 - 450°F.

CONVERSION À LA CONVECTION



REMARQUES :

- Pour utiliser le mode Convection Conversion (conversion à la convection), entrer la température et la durée de cuisson normales.
- La porte du four doit être fermée lorsqu'on utilise la fonction Conversion à la convection.

VIANDES (SEULEMENT)

Il n'est pas nécessaire de préchauffer le four pour l'option MEATS (viandes) du mode Convection Conversion (conversion à la convection). Le préchauffage peut entraîner une surcuisson. Si un préchauffage est requis par la recette, ajouter 15 minutes à la durée de cuisson, et placer les aliments dans le four au moment opportun.

1. Placer les aliments dans le four et fermer la porte du four.
2. Appuyer une fois sur CONVECTION. "Convection" et "Press 1-4 To Choose" (appuyer sur 1 à 4 pour choisir) s'affichent.
3. Appuyer sur la touche "4" du clavier numérique. "Conv Conversion" (conv. à la convection) et "Press 1-3 To Choose" (appuyer sur 1 à 3 pour choisir) s'affichent.
4. Au moyen du clavier numérique, faire un choix parmi les options 1. MEATS (viandes), 2. BAKED GOODS (produits de boulangerie) et 3. OTHER FOODS (autres aliments).
5. Appuyer sur START (mise en marche) pour confirmer la sélection. "Set temp and press START" (régler la température et appuyer sur START [mise en marche]) s'affiche.
6. Entrer la température de rôtissage normale à l'aide du clavier numérique.
7. Entrer la durée de cuisson normale. Voir la section "Durée de cuisson", puis appuyer sur START (mise en marche).

REMARQUE : Il est nécessaire de programmer une durée de cuisson pour les fonctions du mode Convection Conversion (conversion à la convection). Voir la section "Durée de cuisson".

PRODUITS DE BOULANGERIE ET AUTRES ALIMENTS (SEULEMENT)

1. Le préchauffage démarre. Une fois le four préchauffé à la température réglée, la commande émet un signal sonore. Placer les aliments dans le four et fermer la porte du four.
2. Lorsque la durée de cuisson réglée est écoulée, le four s'éteint automatiquement. Un signal sonore retentit et "Cooking Complete" (cuisson terminée) s'affiche.
3. Une fois la cuisson terminée, appuyer sur CANCEL (annulation) et retirer les aliments du four.

CONSEILS ET TECHNIQUE DE CUISSON

- Pour de meilleurs résultats, cuisiner les aliments, cuisinez sur une simple grille avec au moins 1" - 1 ½" (2,5 – 3 cm) d'espace entre les plats et les parois du four.
- N'utilisez qu'une grille lorsque vous choisissez le mode cuisson.
- Vérifiez la cuisson au temps minimum.
- Utilisez des plats en métal (avec une finition antiadhésive ou non), en verre résistant à la chaleur, en verre céramique, en poterie ou d'autres plats appropriés au four.
- Lorsque vous utilisez un plat en verre résistant à la chaleur, réduisez la température de 25°F (15°C) par rapport à la température recommandée.
- Utilisez des plats avec ou sans bord.
- Des plats en métal foncé ou avec des finitions non adhésives cuiront plus vite en brunissant plus le met. Des plats isolés ralentiront légèrement le temps de cuisson dans la plupart des cas.
- N'utilisez pas de feuille en aluminium ou de plateaux en aluminium. Une feuille est un excellent isolant de chaleur et donc la chaleur sera attrapée dessous. Cela altère la performance de cuisson et cela endommage la finition du four
- Evitez de placer sur la porte ouverte des plats.
- Veuillez Solution des problèmes de cuisson.

TABLEAU DE CUISSON

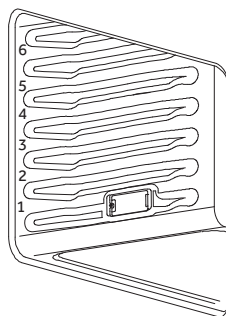
ALIMENTS	POSITION DE GRILLE	TEMP. °F (°C) (FOUR PRÉCHAUFFE)	TEMPS (MIN)
Gâteau			
Petits gâteaux	2	350 (175)	19-22
Gâteau bundt	1	350 (175)	40-45
Gâteau des anges	1	350 (175)	35-39
Tarte			
2 croûtes, fraîches, 9"	2	375-400 (190-205)	45-50
2 croûtes, fruits surgelés, 9"	2	375 (190)	68-78

ALIMENTS	POSITION DE GRILLE	TEMP. °F (°C) (FOUR PRÉCHAUFFE)	TEMPS (MIN)
Biscuit			
Sucre	2	350-375 (175-190)	8-10
Brisures de chocolat	2	350-375 (175-190)	8-13
Carrés au chocolat (brownies)	2	350 (175)	29-36
Pains			
Pain à levure, 9x5	2	375 (190)	18-22
Petits pains à levure	2	375-400 (190-205)	12-15
Biscuits	2	375-400 (190-205)	7-9
Muffins	2	425 (220)	15-19
Pizza			
Surgelée	2	400-450 (205-235)	23-26
Fraîche	2	475 (246)	15-18

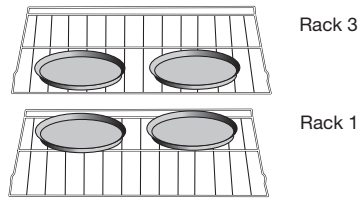
CONSEILS DE CONVECTION

Réduisez les températures de recette de cuisson de 25°F (15°C).

- Pour de meilleurs résultats, il faut cuire les aliments non couverts, dans des plats à bord bas pour mieux profiter de la circulation d'air forcé. Utilisez des plats en aluminium brillant pour de meilleurs résultats à moins que cela soit spécifié autrement.
- Le verre résistant à la chaleur et la céramique peuvent être utilisés. Réduisez encore la température de 25°F (15°C) si vous utilisez un verre résistant à la chaleur, donc une réduction totale de 50°F (30°C).
- Les plats en métal foncé peuvent être utilisés. Notez que la nourriture peut brunir plus vite lorsque vous utilisez un plat en métal foncé.
- Le nombre de grilles utilisées est déterminé par la hauteur des aliments à cuire.
- Les aliments cuits, en général, cuisent extrêmement bien avec la convection. N'essayez pas de convertir des recettes comme les crèmes anglaises, les quiches, les tartes à la citrouille, les tartes au fromage, qui ne tirent pas de bénéfice de la convection. Utilisez le mode de cuisson normal pour ces recettes.
- Plusieurs grilles de cuisson sont disponibles aux positions 1, 2, 3, 4 et 5. Les six grilles peuvent être utilisées pour des gâteaux, des biscuits et des biscuits apéritifs.
 - 2 grille de cuisson : Utilisez positions 1 et 3.
 - Lorsque vous cuisez plusieurs gâteaux en même temps, distribuez les plats de telle façon qu'ils ne soient pas juste l'un au-dessus de l'autre. Pour de meilleurs résultats, placez les gâteaux devant sur la grille du dessus et à l'arrière sur la grille du dessous. (Voyez le dessin à droite). Laissez 1" - 1 ½" (2,5 - 3 cm).



- Convertir vos propres recettes peut être facile. Choisissez une recette qui marche bien en convection.
- Réduisez la température et le temps de cuisson si nécessaire. Il peut parfois y avoir des essais et des erreurs avant d'arriver au résultat parfait. Gardez des traces de votre technique pour la prochaine préparation à convection.
- Veuillez Solution des problèmes de cuisson.



ALIMENTS RECOMMANDÉS POUR LE MODE CONVECTION EUROPÉENNE:

Biscuits apéritifs Biscuits pour café Gâteaux
 Biscuits (2 à 4 grilles) levure pains
 Choux à la crème
 Popovers
 Casseroles et Entrées un plat
 Plats à four (grille positions 1, 2, 3)
 Aliments levés à la levure (Soufflés, Meringue, Desserts garnis de meringue, Gâteaux ange, Gâteaux mousseline)

TABLEAU DE CONVECTION

Réduisez la température standard des recettes de 25 °F (15 °C) pour la convection européenne. Les températures ont été réduites dans ce tableau.

ALIMENTS	POSITION DE GRILLE	TEMP. °F (°C) (FOUR PRÉCHAUFFE)	TEMP (MIN)
Gâteau			
Petits gâteaux	2	325 (160)	20-22
Gâteau bundt	1	325 (160)	43-50
Gâteau des anges	1	325 (160)	43-47
Tarte			
2 croûtes, fraîches, 9"	2	350-400 (175-205)	40-52
2 croûtes, fruits surgelés, 9"	2	350 (175)	68-78
Biscuit			
Sucre	2	325-350 (160-175)	9-12
Brisures de chocolat	2	325-350 (160-175)	8-13
Carrés au chocolat (brownies)	2	325 (160)	29-36
Pains			
Pain à levure, 9x5	2	350 (175)	18-22
Petits pains à levure	2	350-375 (175-190)	12-15
Biscuits	2	375 (190)	8-10
Muffins	2	400 (205)	17-21
Pizza			
Surgelée	2	375-425 (190-220)	23-26
Fraîche	2	450 (232)	15-18

CONSEILS DE CONVECTION CUISSON

- Ne pas préchauffez le rôtissage à convection.
- Rôtissez dans un plat peu profond et non couvert.
- Lorsque vous rôtissez des poulets entiers ou des dindes, groupez les ailes et attachez légèrement les pattes avec une ficelle de cuisine.
- Utilisez le plat de grill 2-pièces pour les rôtissages non-couverts.

⚠ AVERTISSEMENT



Risque de brûlures

Utiliser des mitaines de four pour retirer la sonde thermométrique.

Ne pas toucher l'élément du grill.

Le non-respect de ces instructions peut causer des brûlures.

- Utilisez la sonde ou le thermomètre pour déterminer la cuisson intérieure sur la température "END" (fin) (voir le tableau de cuisson).
- Vérifiez de nouveau la température de la viande/ volaille en insérant le thermomètre à viande dans une autre position.
- Les gros oiseaux doivent aussi être recouverts d'une feuille (et les plats rôtis) pendant une certaine durée de la cuisson pour empêcher que le plat ne soit brûlé.
- La température minimum de sécurité pour la farce dans la volaille est de 165 °F (75 °C).
- Après avoir enlever l'objet du four, couvrez sans serrer avec une feuille pendant 10 à 15 minutes avant le découpage s'il est nécessaire d'augmenter la température de l'aliment de 5 à 10 °F (3 à 6 °C).

TABLEAU DE CONVECTION CUISSON

VIANDES	POIDS (lb)	TEMP.FOUR. °F (°C)	POSITION GRILLE	TEMPS RÔTISSAGE (min. per lb)	TEMP. INTERNE °F (°C)
Boeuf Côte de boeuf	4-6	325 (160)	2	16-20 18-22	145 (63) medium saignant 160 (71) médium

VIANDES	POIDS (lb)	TEMP.FOUR. °F (°C)	POSITION GRILLE	TEMPS RÔTISSAGE (min. per lb)	TEMP. INTERNE °F (°C)
Rosbif de faux-filet (sans os)	4-6	325 (160)	2	16-20 18-22	145 (63) medium saignant 160 (71) médium
Pointe de surlonge (sans os)	3-6	325 (160)	2	16-20 18-22	145 (63) medium saignant 160 (71) médium
Filet	2-3	400 (205)	2	15-20	145 (63) medium saignant
Porc					
Longe de porc (sans os ou avec os)	5-8	350 (175)	2	16-20	160 (71) médium
Épaule	3-6	350 (175)	2	20-25	160 (71) médium
Volaille					
Poulet-entier	3-4	375 (190)	2	18-21	180 (82)
Dinde non farcie	12-15	325 (160)	1	10-14	180 (82)
Dinde non farcie	16-20	325 (160)	1	9-11	180 (82)
Dinde non farcie	21-25	325 (160)	1	6-10	180 (82)
Poitrine	3-8	325 (160)	1	15-20	170 (77)
Poulet de Comouailles	1-1 ½	350 (175)	2	45-75 total	180 (82)
Agneau					
Demi gigot	3-4	325 (160)	2	22-27 28-33	160 (71) médium 170 (77) bien cuit
Gigot entier	6-8	325 (160)	1	22-27 28-33	160 (71) médium 170 (77) bien cuit

CONSEILS ET TECHNIQUES POUR LE CONVECTION GRILL

- Placez le gril dans la position appropriée avant d'allumer votre four.
- Utilisez le gril à convection avec la porte fermée.
- Ne pas préchauffé pour le four.
- Utilisez le plat de rôtissage à 2-pièces.
- Tourner les viandes une fois à mi-cuisson du temps de cuisson recommandé (voir le tableau de gril à convection).

TABLEAU DE CONVECTION GRILL

ALIMENTS ET ÉPAISSEUR	POSITION DE GRILLE	RÉGLAGE DU GRIL °F (°C)	TEMP. INTERNE °F (°C)	TEMPS CÔTÉ 1 (MIN.)*	TEMPS CÔTÉ 2 (MIN.)*
Steak (1½" ou plus)					
Médium saignant	4	450 (235)	145 (65)	9-12	8-10
Médium	4	450 (235)	160 (71)	11-13	10-12
Bien cuit	4	450 (235)	170 (77)	18-20	16-17
Hamburgers (plus que 1")					
Médium	4	550 (290)	160 (71)	8-11	5-7
Bien cuit	4	550 (290)	170 (77)	11-13	8-10
Volaille					
Poitrine (avec os)	4	450 (235)	180 (82)	16-18	10-13
Deux demi poulets	3	450 (235)	180 (82)	25-27	15-18
Cuisses	4	450 (235)	170 (77)	13-15	9-13
Porc					
Porc Cotelettes (1¼" ou plus)	4	450 (235)	160 (71)	12-14	11-13
Saucisses fraîches	4	450 (235)	160 (71)	4-6	3-5

CONSEILS ET TECHNIQUES DE DÉSHYDRATATION

En circulant, l'air chauffé à plus basse température élimine progressivement l'humidité afin de préserver les aliments.

- La température du four pour déshydrater est comprise entre 120 °F (50 °C) et 160 °F (70 °C).
- Plusieurs grilles peuvent être utilisées en même temps.
- Certains aliments requièrent 14-15 heures pour complètement se déshydrater.
- Consultez un livre sur la conservation des aliments pour les temps spécifiques et la conservation de certains aliments.
- Ce mode est approprié pour des fruits, des légumes, des herbes et des morceaux de viande.

- Des écrans de séchage peuvent être achetés dans les magasins spécialisés.
- En utilisant des feuilles de papier, une certaine humidité peut être absorbée avant la déshydratation (comme des morceaux de tomate ou de pêche).

TABLEAU DE GRILLADE À DÉSHYDRATATION

AILMENT	PRÉPARATION	TEMPS DE SECHAGE APPROX.* (heures)	VERIFIER LA CUISSON
Fruit			
Pommes	Dans jus de citron ¼ t. et 2 t. d'eau, tranches ¼"	11-15	Légèrement pliables
Bananas	Dans jus de citron ¼ t. et 2 t. d'eau, tranches ¼"	11-15	Légèrement pliables
Cerises	Laver et assécher à la serviette. Pour les cerises fraîches, dénoyauter	10-15	Pliables, tannees, moelleuses
Pelures d'orange et tranches	¼" d'épaisseur ; partie de la pelure finement pelée	Peels 2-4 Slices: 12-16	Orange pelee, séchée et cassante. Tranches: sèches et cassantes, fruitm légèrement humide
Tranches d'ananas	Séchées a la serviette	Canned: 9-13 Fresh: 8-12	Souples et pliables
Fraises	Lavées et sechées à la serviette. Tranches ½" d'épaisseur, dessus sur la grille	12-17	Sèches et cassantes
Légumes			
Poivrons	Lavées et sechés à la serviette. Retirer la mambrane, grssièrement couplés environ 1"	16-20	Cassants sans humidité à l'intérieur
Champignons	Lavées et sechés à la serviette. Couper la tige. Morceaux de ⅛"	7-12	Fermes et cassant, secs
Tomates	Lavées et sechés à la serviette. Tranches minces ⅛" d'epaisseur. Bien drainer	16-23	Sèches, rouge

AILMENT	PRÉPARATION	TEMPS DE SECHAGE APPROX.* (heures)	VERIFIER LA CUISSON
Fines herbes Origan, sauge, persil et thym, et fenouil	Rincer et assécher à la serviette	Sécher à 120°F (60°C) de 3 à 5 heures	Croustillant et cassant
Basilique	Feuilles 3" à 4" du haut. Vaporiser d'eau, secouer et assécher	Sécher à 120°F (60°C) de 3 à 5 heures	Croustillant et cassant

CONSEILS DE GRILL

- Placez le gril dans la position appropriée avant d'allumer votre four.
- Utilisez le gril à convection avec la porte fermée.
- Préchauffez le four pendant 5 minutes avant son utilisation.
- Utilisez le plat de rôtissage à 2-pièces.
- Tourner les viandes une fois à mi-cuisson du temps de cuisson recommandé (voir le tableau grill).

TABLEAU DE GRILL

ALIMENTS ET ÉPAISSEUR	POSITION DE GRILLE	REGLAGE DU GRIL	TEMP. INTERNE °F (°C)	TEMPS CÔTÉ 1 (MIN.)*	TEMPS CÔTÉ 2 (MIN.)*
Beouf					
Steak (¾ à 1")					
Médium saignant	5	5	145 (65)	5-7	4-6
Médium	5	5	160 (71)	6-8	5-7
Bien cuit	5	5	170 (77)	8-10	7-9
Hamburgers (¾ à 1")					
Médium	4	5	160 (71)	8-11	6-9
Bien cuit	4	5	170 (77)	10-13	8-10
Volaille					
Poitrine (avec os)	4	4	170 (77)	10-12	8-10
Cuisses (bien cuit)	4	3	180 (82)	28-30	13-15
Porc					
Porc Cotelettes (1")	5	5	160 (71)	7-9	5-7
Saucisses fraîches	5	5	160 (71)	5-7	3-5
Tranche de jambon (½")	5	5	160 (71)	4-6	3-5

ALIMENTS ET ÉPAISSEUR	POSITION DE GRILLE	REGLAGE DU GRIL	TEMP. INTERNE °F (°C)	TEMPS CÔTÉ 1 (MIN.)*	TEMPS CÔTÉ 2 (MIN.)*
Seafood Fruits de mer Filets de poisson (1") Beurrés	4	4	Cuire jusqu'à opaticé et que l'aliment se défasse facilement avec une fourchette	10-14	Ne pas Tourner
Agenau Côtelettes (1") Médium saignant	5	5	145 (63)	5-7	4-6
Médium	5	5	160 (71)	6-8	4-6
Bien cuit	5	5	170 (77)	7-9	5-7
Pain Â l'ail (1") tranches	4	5		2-2,30	
Â l'ail (1") tranches	3	5		4-6	

* Temps de gril à convection sont approximatifs et peuvent varier

Les temps de cuisson sont indiqués et ils dépendent également de l'épaisseur de la viande et de la température de départ de celle-ci avant la cuisson.

GUIDE DE TEMPERATURE DE SERVICE DE LA FSIS (SERVICE D'INSPECTION ET SECURITE DES ALIMENTS USDA)

140°F (60°C)	Jambon précuit (pour réchauffer)	165°F (74°C)	Farce (seule ou dans une voaille)
145°F (63°C)	Bœuf, veau, agneau frais (médium saignant)		Restes, casseroles
160°F (71°C)	Viande hachée et mélange de viande (bœuf, porc, veau, agneau)	170°F (77°C)	Bœuf, veau, agneau frais (bien cuit)
	Bœuf, veau, agneau frais (médium saignant)		Poitrine de volaille
	Porc frais (médium)		Porc frais (bien cuit)
	Jambon Frais (non cuit)	180°F (82°C)	Poulet et dinde (entier)
	Platsaux oeufs		Volaille (cuisses, ailes)
	Viande hachée et mélange de viande (dinde, poulet)		Canard et oie

REMARQUE: oeufus (seuls, non dans une recette) - cuire jusqu'à ce que le jaune et le blanc soient fermes.

Thermomètre à viande

Utiliser un thermomètre à viande afin de déterminer si la cuisson de la viande, de la volaille ou du poisson correspond au degré de cuisson souhaité. C'est la température interne et non l'apparence qui permet de déterminer le degré de cuisson.

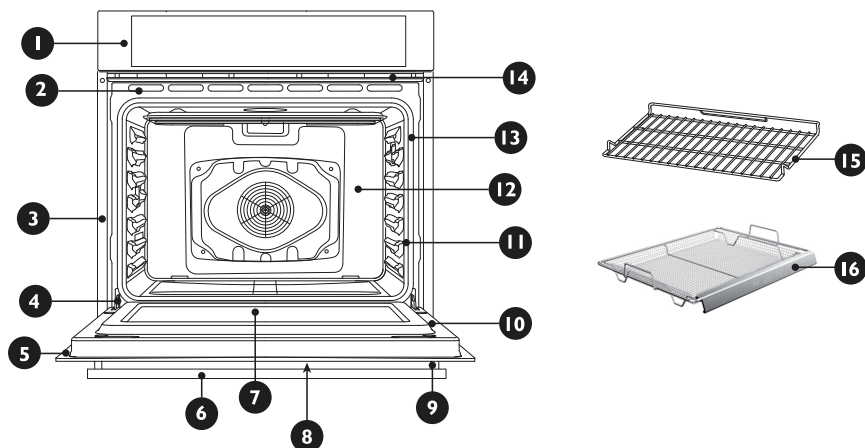
ENTRETIEN DU FOUR

NETTOYAGE GÉNÉRAL

IMPORTANT : Avant le nettoyage, s'assurer que toutes les commandes sont désactivées et que le four est froid. Toujours suivre les instructions indiquées sur l'étiquette des produits nettoyants.

COMMENT UTILISER LE TABLEAU DE NETTOYAGE DU FOUR

- Repérez le chiffre de la partie à nettoyer dans l'illustration de cette page.
- Trouvez le nom de cette partie dans le tableau.
 - Utilisez la méthode de nettoyage dans la colonne de gauche si le four est noir ou blanc.
 - Utilisez la méthode de nettoyage dans la colonne de droite si le four est en acier inoxydable.
- Faites concorder le chiffre avec la méthode de nettoyage de la page suivante.



Pièce	Méthode de nettoyage	Pièce	Méthode de nettoyage
	Four en acier inoxydable		Four en acier inoxydable
1	Tableau de commande	10	Porte du four – Intérieur
	C-G		E

2	Ouvertures de refroidissement de la porte	E	11	Cadre avant du four	E
3	Baguette de protection	D	12	Cavité du four	E
4	Garniture inférieure	D	13	Joint de porte	B
5	Cadre de la porte	E	14	Ouvertures de refroidissement de four	D
6	Poignée de la porte	G	15	Grille du four	A
7	Intérieur de la fenêtre de la porte	F	16	Panier de friture à l'air	A
8	Devant de la porte	C&G			
9	Capuchons d'extrémités	D			

FINITIONS DU FOUR / MÉTHODES DE NETTOYAGE

Le four entier peut être nettoyé de façon sûre avec une éponge savonneuse, puis rincé, et séché. Si des résidus excédentaires restent, suivez les méthodes de nettoyage ci-dessous.

- Utilisez toujours le chiffon le plus doux possible.
- Frottez les finis en métal dans la direction du grain.
- Utilisez des chiffons, des éponges ou des tissus en papier doux et propres.
- Rincez le tout avec un minimum d'eau pour qu'elle ne coule pas dans les fentes de la porte.
- Essayez pour éviter les traces d'eau.

Les nettoyeurs dans la liste ci-dessous indiquent les types de produits à utiliser qu'à titre indicatif. Utilisez tous les produits selon les indications de l'emballage.

Pièce	Méthode de nettoyage
A Fini chromé	Lavez avec de l'eau chaude savonneuse. Rincez et séchez soigneusement. Ou, frottez légèrement avec de Soft Scrub®, Bon-Ami®, Comet®, Ajax®, Brillo®, ou les tampons S.O.S.®. Les nettoyeurs Easy Off® ou Dow aven Cleaners® (formule four froid) peuvent être utilisés, mais ils peuvent noircir ou décolorer le fini chromé. Les grilles peuvent être nettoyées dans le four pendant l'auto-nettoyage. Cepedeant, elles vont perdre leur brillant et devenir grises de façon permanente.
B Tressage en fibre de verre	NE NETTOYEZ PAS LE JOINT A LA MAIN.
C Verre	Vaporisez du Windex® ou du Glass Plus® d'abord sur le chiffon, ensuite essuyez pour nettoyer. Utilisez du Fantastik® ou du Formula 409® pour enlever les éclaboussures de graisse.

D Partie peinte	Nettoyez avec une eau savonneuse ou appliquez du Fantastik® ou du Formula 409® d'abord sur une éponge propre ou sur des feuilles en papier et essuyez pour nettoyer. Evitez d'utiliser des nettoyeurs en poudre ou des tampons métalliques à récurer.
E Porcelaine	Essuyez immédiatement les éclaboussures acides comme les jus de fruit, le lait, les tomates avec un chiffon sec. N'utilisez pas d'éponge/chiffon humide sur de la porcelaine chaude. Lorsqu'elle est froide, nettoyez avec de l'eau chaude savonneuse ou appliquez du Soft Scrub® ou du Bon-Ami® sur une éponge humide. Rincez et séchez. Pour les tâches récalcitrantes, utilisez légèrement du Brillo®, ou les tampons S.O.S.®. Il est normal que la porcelaine se fendille très légèrement (de fines lignes) avec l'âge à cause des expositions à la chaleur et aux résidus alimentaires.
F Verre réfléchissant	Nettoyez avec de l'eau chaude savonneuse ou un récurreur en plastique. Frottez vigoureusement avec du vinaigre, du Windex®, de l'ammoniac, ou du Bon-Ami®. N'UTILISEZ PAS D'ABRASIFS FORTS.
G Acier inoxydable	Essuyez toujours avec un chiffon ou un nettoyant dans la direction du grain. Nettoyez avec une éponge savonneuse puis, rincez et séchez ou essuyez avec du Fantastik® ou du Formula 409 vaporisé sur un essuie-tout. Protégez ou polissez avec du Stainless Steel Magic® et un chiffon doux. Enlevez les taches d'eau avec un chiffon imbibé de vinaigre blanc. Utilisez du Zud®, Cameo®, Bar Keeper's Friend® ou RevereWare Steel Cleaner®, pour enlever la décoloration due à la chaleur.

AUTONETTOYAGE AUTOMATIQUE

⚠ AVERTISSEMENT



Risque de brûlures

Ne pas toucher le four au cours du programme d'autonettoyage.

Ne pas laisser les enfants s'approcher du four au cours du programme d'autonettoyage.

Le non-respect de ces instructions peut causer des brûlures.

Ce four est doté d'une fonction d'autonettoyage qui élimine le besoin de récurer manuellement la cavité du four. Durant le programme d'autonettoyage, le four utilise des températures très élevées, brûlant les saletés pour les réduire en cendres.

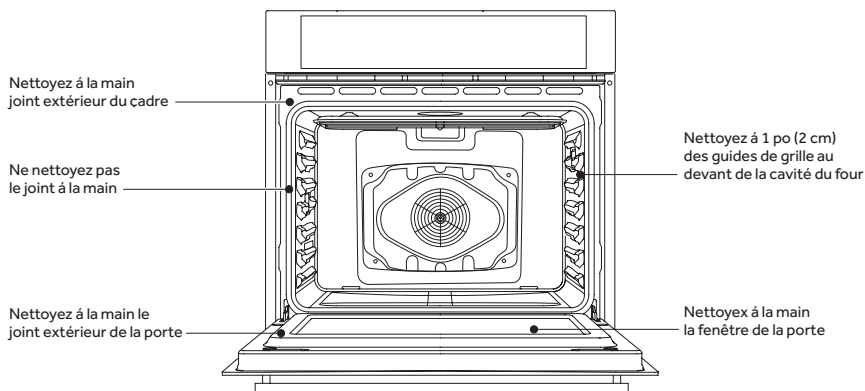
IMPORTANT : La santé de certains oiseaux est très sensible aux émanations qui surviennent durant le programme d'autonettoyage. L'exposition aux émanations peut entraîner la mort de certains oiseaux. Toujours déplacer les oiseaux dans une autre pièce fermée et bien aérée.

- Veiller à ce que la cuisine soit bien aérée pendant le programme d'autonettoyage afin d'aider à éliminer la chaleur, les odeurs et la fumée.
- Il est normal de voir des fumées et/ou une flammèche occasionnelle pendant le cycle d'auto-nettoyage, selon le contenu et la quantité de résidus dans le four. Si une flamme persiste, éteignez le four et laissez-le se refroidir avant d'ouvrir la porte pour essuyer les résidus en surplus.
- Ne pas obstruer le ou les événement(s) du four durant le programme d'autonettoyage. L'air doit pouvoir circuler librement. Voir la section "Événements du four".
- Ne pas nettoyer, frotter, endommager ou déplacer le joint d'étanchéité de la porte du four.
- Le loquet de la porte est automatiquement active après la sélection de l'auto-nettoyage. Le symbole de verrouillage de la porte va s'afficher. Cela assure que la porte ne peut pas être ouverte lorsque le four est en auto-nettoyage.
- Le four est pré-réglé pour un programme d'autonettoyage de 2,5 heures, mais la durée peut être modifiée. Les durées de nettoyage suggérées sont de 2 h pour les saletés légères et entre 3,0 h et 3,5 h pour les saletés moyennes à intenses.
- Le mode s'arrête automatiquement à la fin des heures de nettoyage.
- Lorsque la température du four descend à une température plus sûre, le verrouillage automatique de la porte se déverrouille et la porte peut être ouverte.
- La lampe du four ne fonctionne pas lorsque le mode Clean (nettoyage) est activé.

AVANT L'AUTONETTOYAGE

1. Enlevez tous les ustensiles et les plats.
2. Retirer les grilles du four en matière autre que la porcelaine. Si les grilles chromées sont laissées dans le four pendant le programme d'autonettoyage, elles perdront définitivement leur finition brillante qui s'assombriera et se ternira. Voir le tableau de nettoyage du four pour des instructions sur l'entretien approprié.
3. Essuyer tout renversement de salissures molles et de graisse avec des essuie-tout. L'excès de graisse formera des flammes et de la fumée dans le four durant l'autonettoyage.
4. S'assurer que les lampes d'intérieur sont éteintes et que les ampoules et les protégés-ampoule sont en place.
5. Certaines parties du four comme le rebord de la porte du four, le hublot de la porte du four, le cadre avant du four et une zone de 1½" (2-3 cm) à l'intérieur du cadre ne chauffent pas suffisamment durant le programme de nettoyage pour brûler la saleté, et doivent être nettoyées à la main AVANT le début du programme. Nettoyer à l'aide d'une éponge savonneuse ou d'un tampon à récuper en plastique et d'une solution de détergent et d'eau chaude. Rincer et sécher soigneusement toutes les parties.

REMARQUE : Ne pas frotter le joint de la porte du four.



PROGRAMME D'AUTONETTOYAGE

Il est conseillé d'attendre au minimum 24 heures entre chaque programme de nettoyage.

Autonettoyage :

1. Fermer la porte du four.
2. Appuyer sur SELF CLEAN (autonettoyage). "REMOVE RACKS" (retirer les grilles) défile dans la zone de texte du four sélectionné.
3. "2:00 3:00 3:30" s'affiche.
4. Utiliser le clavier numérique pour sélectionner le niveau de nettoyage souhaité.
5. Pour différer le démarrage du programme d'autonettoyage, appuyer sur DELAY START (démarrage différé), puis régler une heure au moyen du clavier numérique.
6. Appuyer sur START (mise en marche).

Une fois la porte verrouillée, "SELF CLEAN" (autonettoyage) défile dans la zone de texte sélectionnée jusqu'à ce que le programme de nettoyage soit terminé.

Lorsque le programme d'autonettoyage est terminé :

"COMPLETE" (terminé) s'affiche et la porte du four se déverrouille.

7. Lorsque le four a complètement refroidi, retirer la cendre avec un chiffon humide.

REMARQUE : Afin d'éviter de briser le verre, ne pas appliquer un chiffon humide et froid sur la partie interne du hublot de la porte avant qu'il n'ait complètement refroidi.

DÉPOSE DE LA PORTE DU FOUR

Il n'est pas nécessaire d'enlever la porte du four dans le cadre d'une utilisation normale. S'il est toutefois nécessaire de retirer la porte, suivre les instructions fournies dans cette section.

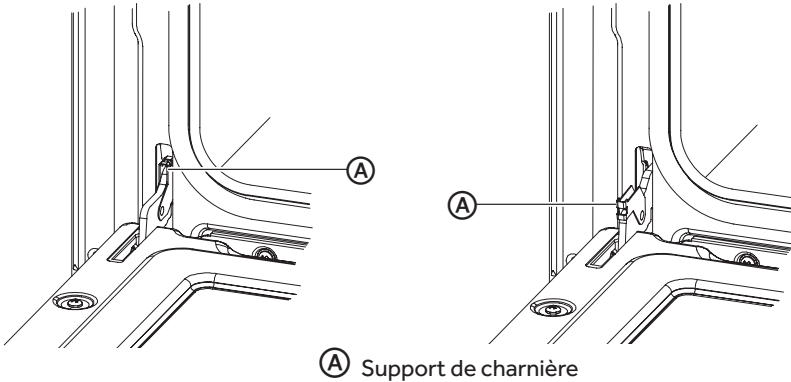
IMPORTANT :

- Assurez-vous que le four est froid et qu'il est bien éteint avant d'enlever la porte sinon vous pouvez vous électrocuter ou vous brûler.

- Tenir la porte du four par ses côtés seulement. Ne pas saisir la porte par la poignée car la porte pourrait se balancer dans la main, provoquant des dommages ou une blessure.
- La porte du four est lourde et fragile. Retirer la porte du four à deux mains.
- L'avant de la porte est en verre. Pour éviter de briser le verre, manipuler avec précaution.

Dépose de la porte du four :

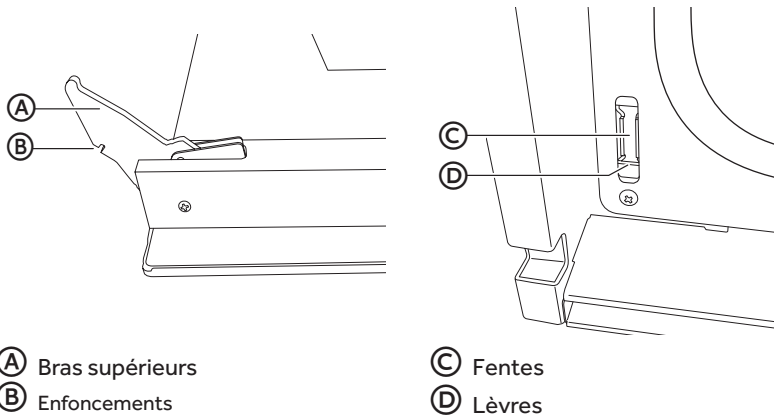
1. Ouvrez la porte complètement.
2. Relever le loquet de charnière de chaque côté.



3. En maintenant la porte fermement, fermer la porte du four complètement.
4. En saisissant les deux côtés, soulever la porte en la poussant en position fermée, puis la dégager du cadre de porte en la tirant.
5. Poser la porte sur une surface protégée.

Repose de la porte du four :

1. Tenir la porte fermement, Insérer les bras supérieurs des deux charnières dans les fentes. Les renforcements doivent s'accrocher sur les lèvres.



2. Ouvrir la porte du four.

REMARQUE : Vous devriez entendre un déclic lorsque la porte est correctement remise en place.

3. Remettre les loquets des charnières à la position verrouillée (de chaque côté).
4. Ouvrir et fermer la porte pour s'assurer que l'ouverture se fait librement. Si ce n'est pas le cas, répéter la procédure de dépose et de repose de la porte.
5. Fermez et ouvrez la porte doucement pour assurer qu'elle est correctement bien en place.

REPLACEMENT D'UNE AMPOULE DU FOUR

⚠ AVERTISSEMENT



Risque de choc électrique

Assurez-vous que le four et que les lumières sont froides et que le four est bien éteint avant de remplacer les ampoules.

Les lentilles doivent être remises en place lorsque vous utilisez le four. Les lentilles servent à protéger l'ampoule pour qu'elle ne se casse pas.

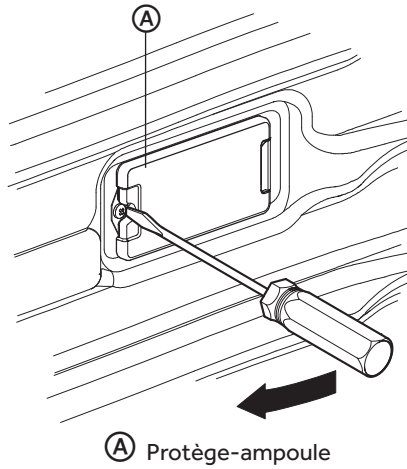
Les lentilles sont en verre. Manipulez-les avec précaution pour éviter de les casser.

Le non-respect de cette instruction pourrait causer un décès, un choc électrique, des coupures ou des brûlures.

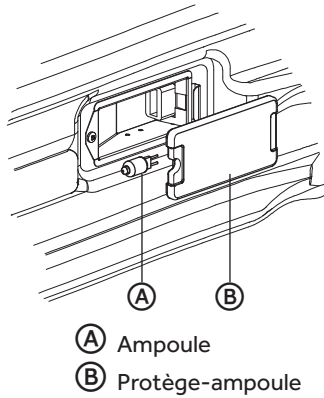
La lampe du four est une ampoule standard de 25 watts (G9) pour appareils électroménagers.

IMPORTANT : Avant de procéder au remplacement, s'assurer que le four est froid et que les commandes sont désactivées.

1. Coupez l'alimentation électrique à l'alimentation principale (fusible ou disjoncteur).
2. L'utilisation d'un tournevis cruciforme, retirez la vis, puis retirez le couvercle.



- Sortir l'ampoule de la douille.



REMARQUE : Pour éviter d'endommager ou de réduire la longévité de l'ampoule neuve, ne pas toucher l'ampoule avec les doigts nus. Porter des gants en coton ou utiliser de l'essuie-tout lors du remplacement de l'ampoule.

- Remplacer l'ampoule, puis remettre le protège-ampoule.
- Rétablir l'alimentation au niveau de la source de courant électrique principale (fusible ou boîtier de disjoncteurs).

DÉPANNAGE

Essayer d'abord les solutions suggérées ici pour éviter le coût d'un appel de service.

CUISSON ET RÔTISSAGE

Avec la cuisson comme la cuisson à convection, des problèmes de cuisson peuvent arriver pour de nombreuses raisons autre qu'un mauvais fonctionnement du four. Vérifiez le tableau ci-dessous qui répond à la plupart des problèmes communs. Étant donné que la taille, la forme et le matériel de cuisson affectent les résultats de la cuisson, la meilleure solution est de remplacer les vieux plats qui sont devenus sombres et qui se sont voilés avec le temps et leur utilisation. Vérifiez les tableaux de cuisson pour une position correcte des grilles et du temps de cuisson.

Problème de cuisson	Cause
Aliment brunissant de façon hétérogène	<ul style="list-style-type: none"> • Four non préchauffé • Papier aluminium sur la grille ou au fond du four • Plat de cuisson trop grand pour la recette • Plat touchant aux autres plats ou la paroi du four
Aliment trop brun au fond	<ul style="list-style-type: none"> • Four non préchauffé • Utilisation de plat en verre, mat ou foncé • Position de grille incorrecte • Plat touchant aux autres plats ou la paroi du four
Aliment sec ou ayant excessivement rétréci	<ul style="list-style-type: none"> • Température du four trop élevée • Temps de cuisson trop long • Porte du four trop souvent ouverte • Plat trop grand
Aliment cuisant ou rôtissant trop lentement	<ul style="list-style-type: none"> • Température du four trop basse • Four non préchauffé • Porte du four trop souvent ouverte • Scellé hermétiquement avec du papier aluminium • Plat trop petit
Croûte à tarte non brunie au fond ou croûte non cuite	<ul style="list-style-type: none"> • Temps de cuisson pas assez long • Utilisation de plat en acier brillant • Position de grille incorrecte • Température du four trop basse
Gâteau pâle, plat, ou non cuit à l'intérieur	<ul style="list-style-type: none"> • Température du four trop basse • Temps de cuisson incorrect • Gâteau vérifié trop tôt • Porte du four trop souvent ouverte • Plat trop grand

Gâteau haut au centre avec craquelure sur le dessus	<ul style="list-style-type: none"> • Température du four trop élevée • Temps de cuisson trop long • Plat touchant aux autres plats ou la paroi du four • Position de grille incorrecte • Plat trop petit
Bords de croûte de tarte trop bruns	<ul style="list-style-type: none"> • Température du four trop élevée • Bords de croûte trop minces

FONCTIONNEMENT

PROBLÈME	CAUSE POSSIBLE	SOLUTION
Un code d'erreur F03 ou F04 apparaît sur la fenêtre d'affichage.	Un problème s'est produit avec le mécanisme du loquet.	Déconnecter la source de courant électrique principale (fusible ou boîtier de disjoncteurs), attendre quelques secondes et remettre en marche. Le four devrait exécuter un test automatique du loquet. Si le problème persiste, noter le numéro du code et contacter un centre de service agréé.
Un autre code d'erreur F_ apparaît sur la fenêtre d'affichage.		Déconnecter la source de courant électrique principale (fusible ou boîtier de disjoncteurs), attendre quelques secondes et remettre en marche. Si le problème persiste, noter le numéro du code et contacter un centre de service agréé.
L'affichage du four ne s'allume pas.		Déconnecter la source de courant électrique principale (fusible ou boîtier de disjoncteurs). Remettre en marche le boîtier de disjoncteurs. Si le problème persiste, contacter un centre de service agréé.
Le ventilateur de refroidissement continue à fonctionner après que le four ait été éteint	Les composants du four n'ont pas suffisamment refroidi.	Le ventilateur s'éteint automatiquement lorsque les composants électroniques ont suffisamment refroidi.
La porte du four est verrouillée et ne s'ouvre pas, même après avoir refroidi.		Éteindre le four au niveau du boîtier de disjoncteurs et attendre quelques secondes. Remettre en marche le boîtier de disjoncteurs. Le four devrait se réinitialiser et fonctionner.

Le four ne chauffe pas.	Le four n'est pas alimenté en électricité.	Rétablir l'alimentation au niveau de la source de courant électrique principale (fusible ou boîtier de disjoncteurs). Si le problème persiste, contacter un centre de service agréé.
	Aucun mode du four ou température n'a été sélectionné.	Tourner les boutons rotatifs pour sélectionner le mode du four et la température.
Le four ne chauffe pas d'une manière homogène.	La grille du four n'est pas en position correcte.	Consulter les tableaux de cuisson pour connaître la position de grille recommandée.
	Mode Cuisson au four par convection	Pour une cuisson en mode Cuisson au four par convection, toujours baisser la température de la recette de 25 °F (15 °C) .
La lampe du four ne fonctionne pas correctement.	Une ampoule est desserrée dans la douille ou grillée.	Remplacer ou réinsérer l'ampoule si celle-ci est desserrée ou défectueuse. L'ampoule peut griller si on la touche avec les doigts.
La lampe du four reste allumée.	La porte du four ne ferme pas complètement.	Vérifier si la porte du four rencontre une obstruction. Vérifier si la charnière est tordue ou si le contacteur de la porte est cassé.
Le protège-ampoule de la lampe ne peut pas être retiré.	Le protège-ampoule est sale.	Il peut y avoir une accumulation de saletés autour du protège-ampoule. Essuyer la surface du protège-ampoule avec un torchon propre et sec avant d'essayer de retirer le protège-ampoule.
Le four ne s'autonettoie pas correctement.	Le four était encore chaud lorsque le mode de nettoyage a été sélectionné.	Laisser le four refroidir avant de démarrer l'autonettoyage.
	Le four est très sale.	Toujours essayer pour décoller les saletés ou les gros renversements avant de démarrer l'autonettoyage. Consulter "Préparer le four pour l'autonettoyage".
		Si le four est extrêmement sale, régler le four pour un autonettoyage de 4 heures.
L'horloge et la minuterie ne fonctionnent pas correctement	Le four n'est pas alimenté en électricité.	Rétablir l'alimentation au niveau de la source de courant électrique principale (fusible ou boîtier de disjoncteurs). Si le problème persiste, contacter un centre de service agréé.
	L'horloge ou la minuterie n'a pas été réglé correctement.	Voir les sections "Horloge" et "Minuterie".

Humidité excessive	Le four n'a pas été préchauffé correctement.	Lorsque le mode Cuisson au four est utilisé, préchauffer le four au préalable. La cuisson au four par convection et le rôtissage par convection vont éliminer toute l'humidité dans le four (c'est l'un des avantages de la convection).
Éclats de porcelaine	Les grilles du four n'ont pas été retirées et remises en place correctement.	Lorsque les grilles du four sont retirées et remises en place, toujours incliner les grilles vers le haut et ne pas les forcer pour éviter d'écailler la porcelaine.

Model: KQWS-4800-RQ331

Edition: A/1

Publication Date: October,10,2022

ROBAM